

CUMHURBAŞKANI KARARI



Karar Sayısı: 11346

Artvin, Aydın, Balıkesir, Bingöl, Bursa, Denizli, Elazığ, Gümüşhane, Karabük, Kocaeli, Kütahya, Malatya, Mersin, Muğla, Rize, Sakarya, Samsun, Sinop, Şanlıurfa, Tokat, Trabzon, Uşak ve Zonguldak illerinde bulunan bazı alanların orman sınırları dışına çıkartılması hakkındaki ekli Kararın yürürlüğe konulmasına, 6831 sayılı Orman Kanununun ek 16 ncı maddesi gereğince karar verilmiştir.

18 Mayıs 2026

Recep Tayyip ERDOĞAN
CUMHURBAŞKANI

18/5/2026 TARİHLİ VE 11346 SAYILI CUMHURBAŞKANI KARARININ EKİ
KARAR

Orman sınırı dışına çıkartılan alanlar

MADDE 1- (1) Artvin, Aydın, Balıkesir, Bingöl, Bursa, Denizli, Elazığ, Gümüşhane, Karabük, Kocaeli, Kütahya, Malatya, Mersin, Muğla, Rize, Sakarya, Samsun, Sinop, Şanlıurfa, Tokat, Trabzon, Uşak ve Zonguldak illerinde bulunan ve ekli krokiler ile listelerde sınır ve koordinatları gösterilen alanların orman sınırları dışına çıkartılmasına karar verilmiştir.

(2) Birinci fıkra kapsamında orman sınırları dışına çıkartılan alanların iki katından az olmamak üzere Devletin hüküm ve tasarrufu altında veya Hazinesin özel mülkiyetinde bulunan taşınmazlardan Çevre, Şehircilik ve İklim Değişikliği Bakanlığı (Milli Emlak Genel Müdürlüğü) tarafından Orman Genel Müdürlüğüne orman tesis etmek üzere tahsis yapılır.

Yürürlük

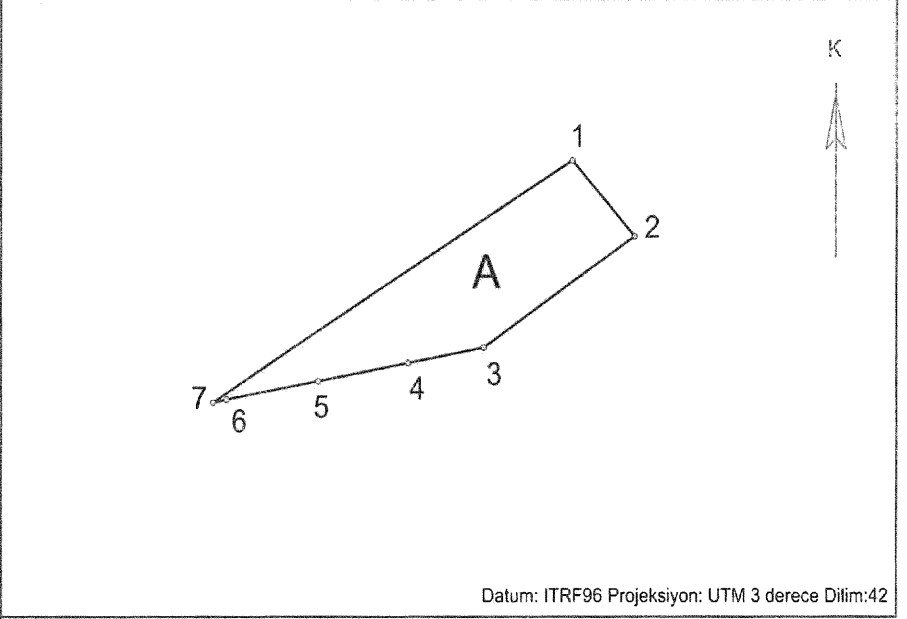
MADDE 2- (1) Bu Karar yayımı tarihinde yürürlüğe girer.

Yürütme

MADDE 3- (1) Bu Karar hükümlerini Cumhurbaşkanı yürütür.

İli :Artvin
İlçesi :Borçka
Mahallesi :Merkez

RÖLEVE KROKİSİ



Ada	Parsel	Noktalar	HesapAlan
119	A	1190703, 1190712, 1190730, 1190732, 1190736, 1190738, 1190740	278.95

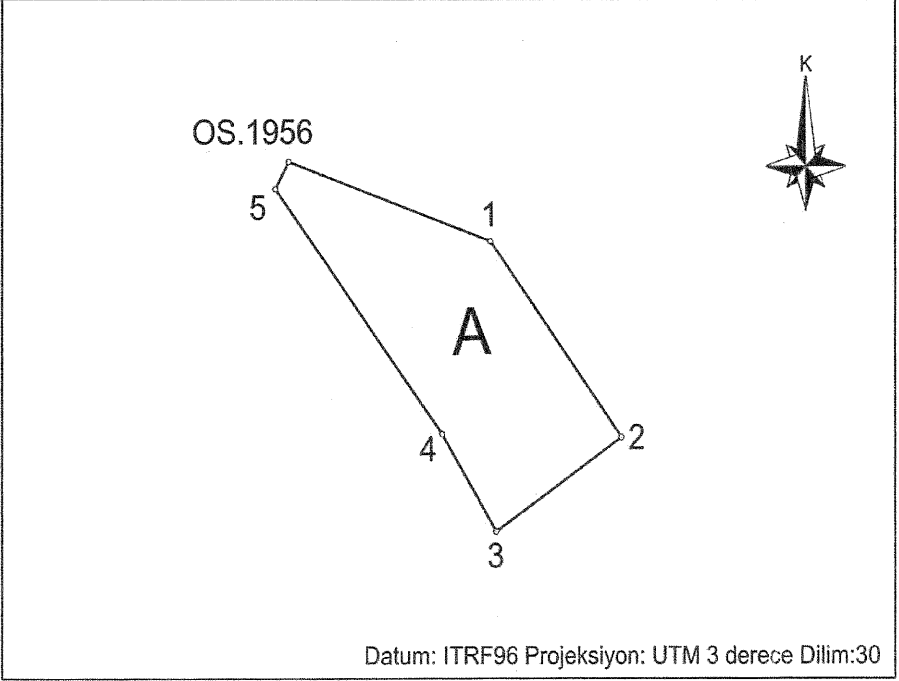
NoktaNo	Y	X	NoktaNo	Y	X
1190703	473143.02	4580670.75	1190712	473149.10	4580664.04
1190730	473134.27	4580654.25	1190732	473126.82	4580652.93
1190736	473117.96	4580651.35	1190738	473108.88	4580649.75
1190740	473107.52	4580649.48			

İli: AYDIN

İlçesi: BOZDOĞAN

Köy/Mahalle: KEMER

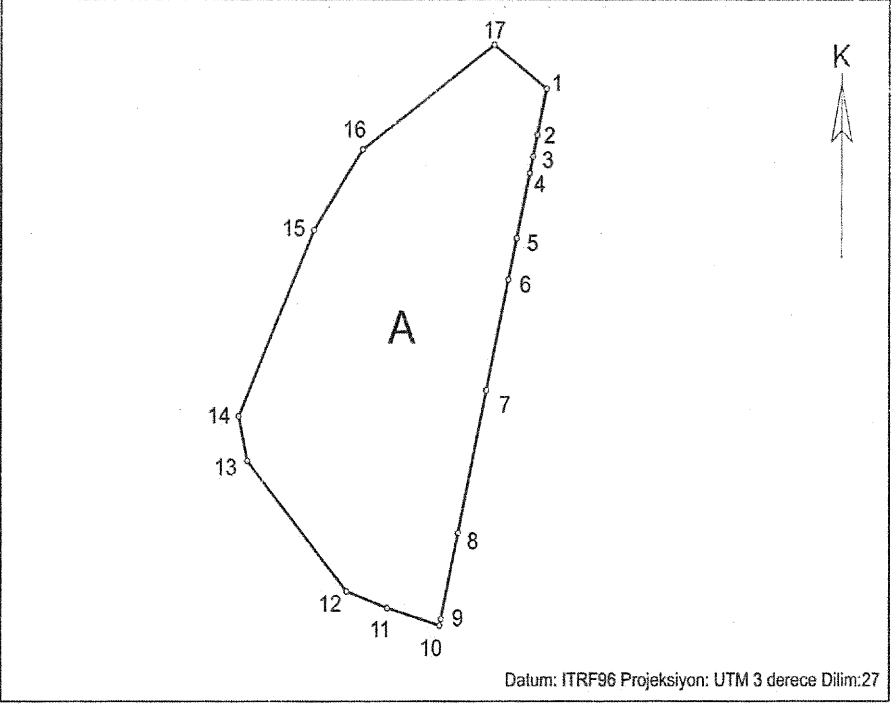
RÖLEVE KROKİSİ



Ada	Parsel	Noktalar	HesapAlan
133	A	OS.1956,1,2,3,4,5	1473.20

NoktaNo	Y	X	NoktaNo	Y	X
1	371372.78	4157140.59	2	371396.58	4157109.42
3	371373.86	4157094.37	4	371364.20	4157109.93
5	371334.02	4157148.98	OS.1956	371336.47	4157153.33

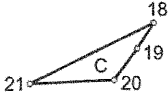
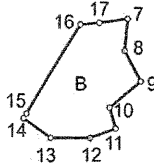
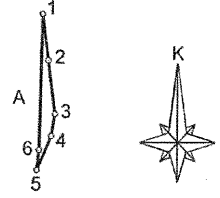
RÖLEVE KROKİSİ



Ada	Parsel	Noktalar	HesapAlan
101	51-A	1,2,3,4,5,6,7,8,9,10,11,12,13, 14,15,16,17	2597.96

Nokta No	Y	X	Nokta No	Y	X
1	568124.76	4365540.71	2	568123.19	4365533.77
3	568122.45	4365530.50	4	568121.88	4365527.99
5	568119.70	4365518.31	6	568118.29	4365512.10
7	568114.51	4365495.36	8	568109.66	4365473.92
9	568106.73	4365460.93	10	568106.50	4365459.92
11	568097.53	4365462.58	12	568090.64	4365465.08
13	568073.81	4365484.74	14	568072.15	4365491.44
15	568085.07	4365519.53	16	568093.33	4365531.53
17	568115.84	4365547.36			

RÖLEVE KROKİSİ

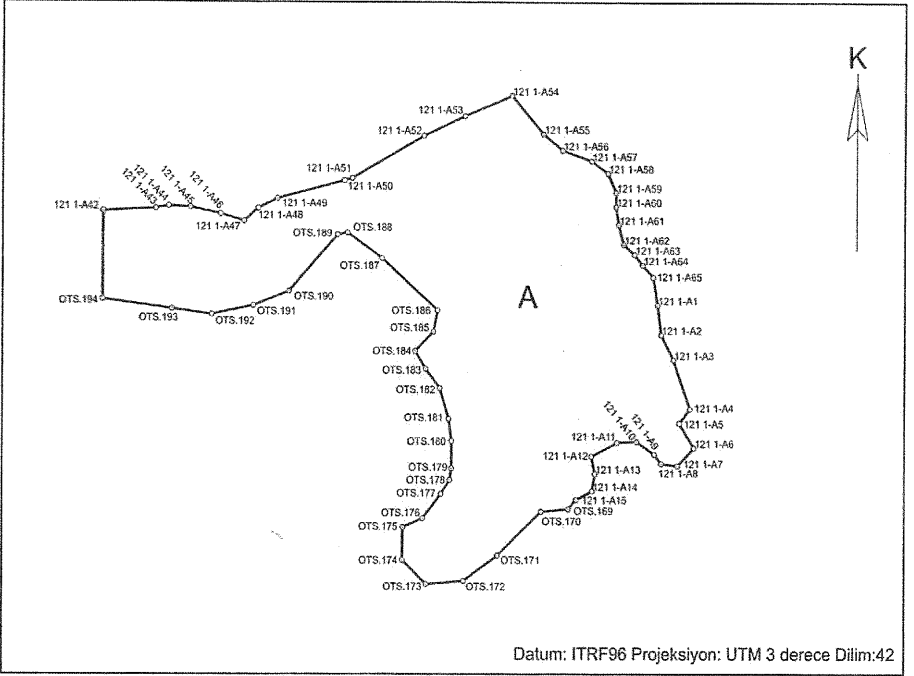


Datum: ITRF96 Projeksiyon: UTM 3 derece Dilim:27

Nokta No	Y	X	Nokta No	Y	X
1	521713.08	4383466.53	2	521715.17	4383449.89
3	521717.71	4383430.58	4	521716.36	4383422.60
5	521711.01	4383410.44	6	521711.88	4383417.65
7	521643.46	4383326.40	8	521642.35	4383314.84
9	521648.41	4383303.79	10	521636.72	4383294.46
11	521639.03	4383286.99	12	521629.46	4383283.63
13	521614.76	4383283.65	14	521604.39	4383290.61
15	521605.47	4383292.29	16	521625.67	4383324.38
17	521632.80	4383324.96	18	521530.40	4383199.55
19	521524.20	4383190.27	20	521515.56	4383178.95
21	521483.98	4383177.49			

Ada	Parsel	Noktalar	HesapAlan
230	A	1,2,3,4,5,6	162.35
230	B	7,8,9,10,11,12,13,14,15,16,17	1145.73
230	C	18,19,20,21	319.57

RÖLEVE KROKİSİ

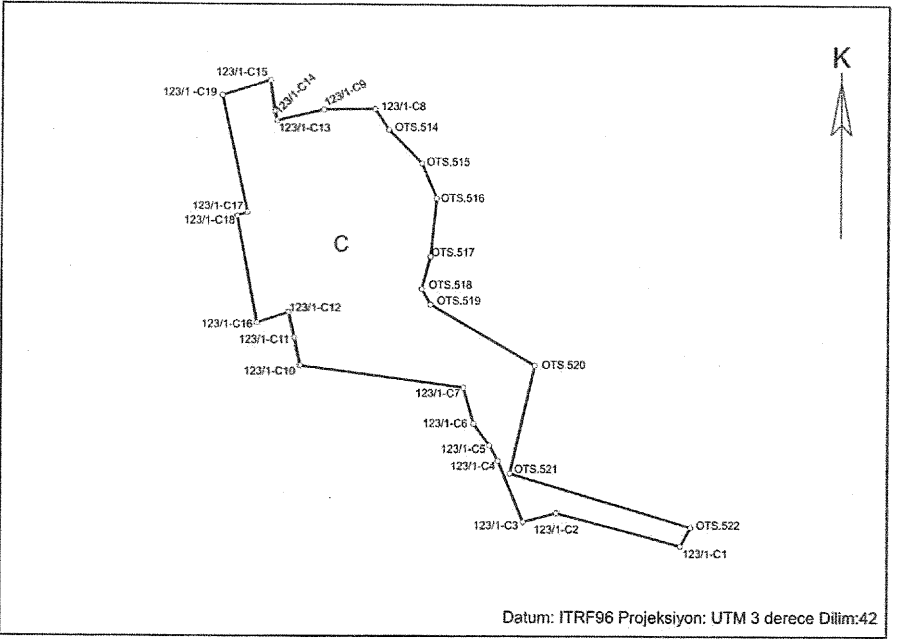


Datum: ITRF96 Projeksiyon: UTM 3 derece Dilim:42

NoktaNo	Y	X	NoktaNo	Y	X	NoktaNo	Y	X	NoktaNo	Y	X
121 1-A1	370456.60	4305072.56	121 1-A2	370459.28	4305062.67	OTS.170	370373.96	4304934.86	OTS.171	370343.11	4304905.43
121 1-A3	370468.13	4305035.89	121 1-A4	370479.98	4305003.18	OTS.172	370318.99	4304888.40	OTS.173	370292.04	4304898.28
121 1-A5	370472.43	4304993.69	121 1-A6	370482.84	4304977.36	OTS.174	370275.09	4304860.45	OTS.175	370275.44	4304824.34
121 1-A7	370471.28	4304985.38	121 1-A8	370459.58	4304966.82	OTS.176	370289.45	4304530.30	OTS.177	370302.59	4304946.59
121 1-A9	370454.62	4304972.97	121 1-A10	370441.89	4304981.39	OTS.178	370308.89	4304955.87	OTS.179	370310.12	4304963.58
121 1-A11	370427.91	4304980.63	121 1-A12	370409.70	4304971.56	OTS.180	370310.12	4304981.79	OTS.181	370308.02	4304938.50
121 1-A13	370412.25	4304959.56	121 1-A14	370410.25	4304948.53	OTS.182	370301.54	4305016.82	OTS.183	370291.20	4305029.78
121 1-A15	370398.89	4304942.78	121 1-A42	370080.91	4305134.76	OTS.184	370283.85	4305041.51	OTS.185	370296.80	4305054.55
121 1-A43	370098.38	4305136.53	121 1-A44	370107.61	4305138.13	OTS.186	370299.67	4305068.81	OTS.187	370259.91	4305103.49
121 1-A45	370123.28	4305137.39	121 1-A46	370144.96	4305133.07	OTS.188	370235.22	4305120.06	OTS.189	370228.59	4305119.25
121 1-A47	370161.74	4305128.32	121 1-A48	370171.77	4305135.84	OTS.190	370193.89	4305081.42	OTS.191	370168.46	4305071.74
121 1-A49	370185.58	4305143.27	121 1-A50	370233.08	4305155.23	OTS.192	370138.86	4305065.79	OTS.193	370110.11	4305089.43
121 1-A51	370238.41	4305196.74	121 1-A52	370289.45	4305184.96	OTS.194	370060.63	4305075.81			
121 1-A53	370319.01	4305197.59	121 1-A54	370382.43	4305211.61						
121 1-A55	370374.71	4305188.16	121 1-A56	370386.34	4305175.42						
121 1-A57	370408.99	4305168.39	121 1-A58	370420.67	4305160.21						
121 1-A59	370426.55	4305147.53	121 1-A60	370426.52	4305138.10						
121 1-A61	370428.63	4305126.31	121 1-A62	370432.22	4305113.04						
121 1-A63	370440.12	4305106.27	121 1-A64	370445.85	4305099.19						
121 1-A65	370453.41	4305091.10	OTS.169	370393.24	4304936.48						

Ada	Parsel	Noktalar	HesapAlan
121	1-A	121 1-A62,121 1-A43,121 1-A44, 121 1-A45,121 1-A46,121 1-A47, 121 1-A48,121 1-A49,121 1-A50, 121 1-A51,121 1-A52,121 1-A53, 121 1-A54,121 1-A55,121 1-A56, 121 1-A57,121 1-A58,121 1-A59, 121 1-A60,121 1-A61,121 1-A62, 121 1-A63,121 1-A64,121 1-A65, 121 1-A1,121 1-A2,121 1-A3, 121 1-A4,121 1-A5,121 1-A6, 121 1-A7,121 1-A8,121 1-A9, 121 1-A10,121 1-A11,121 1-A12, 121 1-A13,121 1-A14,121 1-A15, OTS.169,OTS.170,OTS.171, OTS.172,OTS.173,OTS.174, OTS.175,OTS.176,OTS.177, OTS.178,OTS.179,OTS.180, OTS.181,OTS.182,OTS.183, OTS.184,OTS.185,OTS.186, OTS.187,OTS.188,OTS.189, OTS.190,OTS.191,OTS.192, OTS.193,OTS.194	55044.90

RÖLEVE KROKİSİ

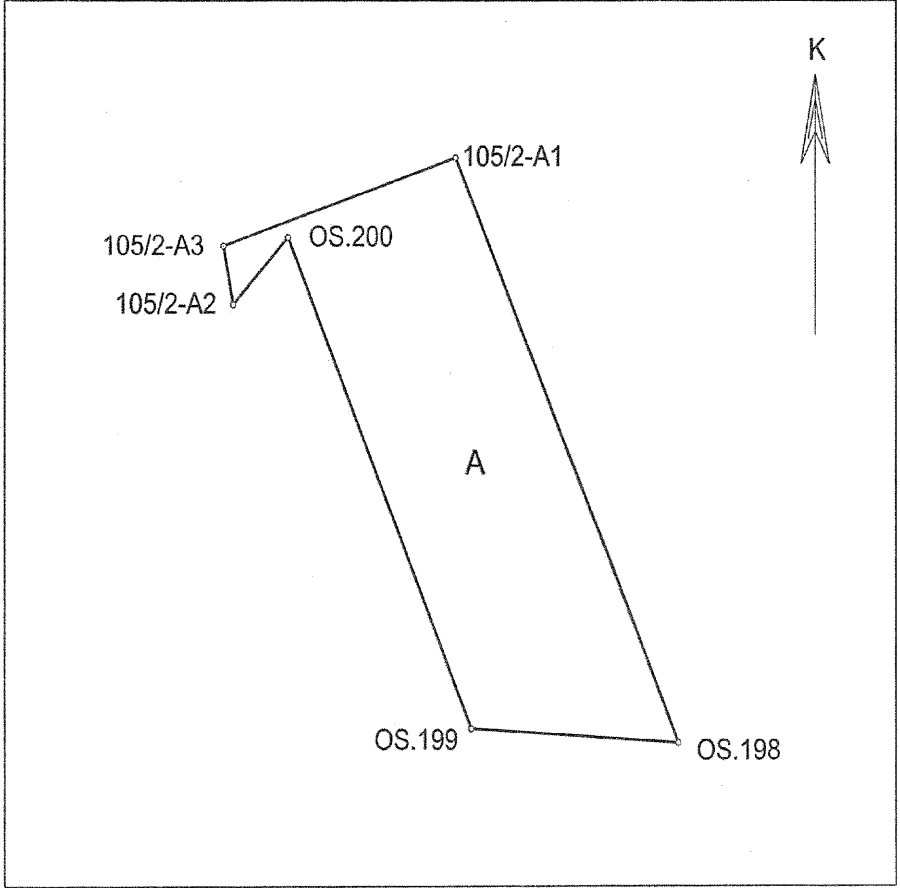


NoktaNo	Y	X	NoktaNo	Y	X
123/1-C1	368556.72	4304557.74	123/1-C2	368477.87	4304578.32
123/1-C3	368456.73	4304572.77	123/1-C4	368440.60	4304611.06
123/1-C5	368435.22	4304620.63	123/1-C6	368425.13	4304634.18
123/1-C7	368418.52	4304656.84	123/1-C8	368361.09	4304829.80
123/1-C9	368328.36	4304829.34	123/1-C10	368314.16	4304670.28
123/1-C11	368310.37	4304687.75	123/1-C12	368306.77	4304703.35
123/1-C13	368298.99	4304822.53	123/1-C14	368297.63	4304828.37
123/1-C15	368294.69	4304847.56	123/1-C16	368286.84	4304696.78
123/1-C17	368280.53	4304765.29	123/1-C18	368273.92	4304763.18
123/1-C19	368264.36	4304838.14	OTS.514	368369.90	4304816.99
OTS.515	368391.16	4304796.02	OTS.516	368400.75	4304774.31
OTS.517	368396.95	4304737.77	OTS.518	368391.42	4304717.92
OTS.519	368397.07	4304708.39	OTS.520	368463.86	4304670.67
OTS.521	368448.27	4304603.12	OTS.522	368563.22	4304569.36

Ada	Parsel	Noktalar	HesapAlan
123	1-C	123/1 -C19,123/1-C15, 123/1-C14,123/1-C13,123/1-C9, 123/1-C8,OTS.514,OTS.515, OTS.516,OTS.517,OTS.518, OTS.519,OTS.520,OTS.521, OTS.522,123/1-C1,123/1-C2, 123/1-C3,123/1-C4,123/1-C5, 123/1-C6,123/1-C7,123/1-C10, 123/1-C11,123/1-C12,123/1-C16, 123/1-C18,123/1-C17	23434.08

İli : BİNGÖL
İlçesi : MERKEZ
Köy/Mahalle : YENİBAŞLAR
Datum/Dilim : ITRF 96 -3°-42

RÖLEVE KROKİSİ

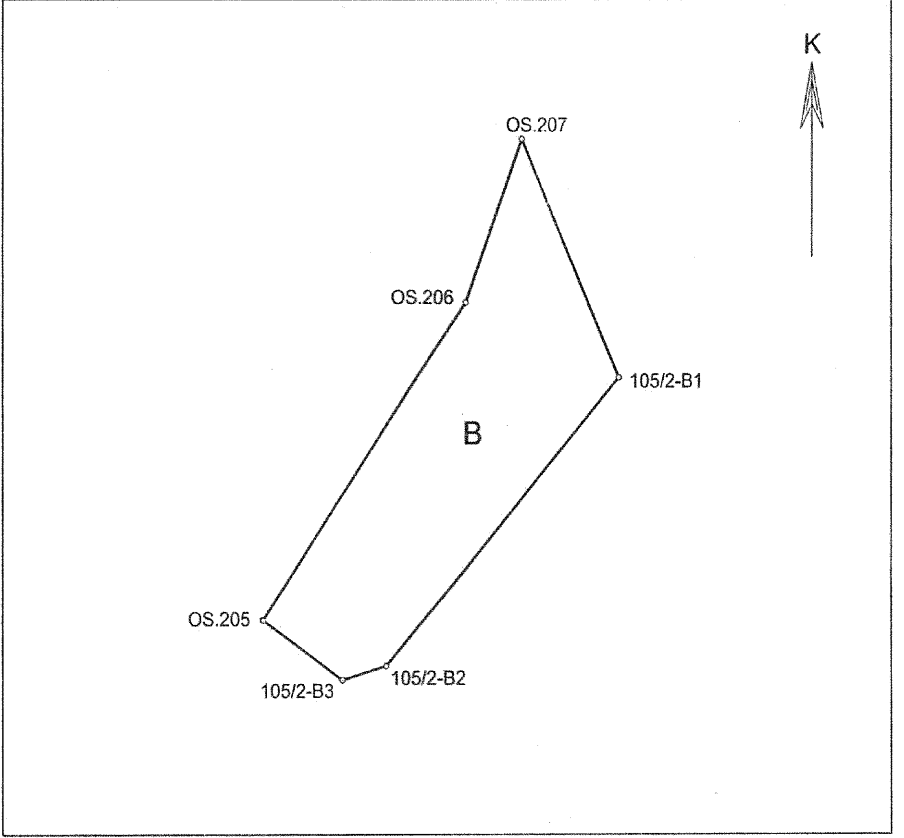


Ada	Parsel	Noktalar	HesapAlan
105	2-A	105/2-A1,OS.198,OS.199,OS.200, 105/2-A2,105/2-A3	468.89

NoktaNo	Y	X	NoktaNo	Y	X
105/2-A1	386824.87	4319712.13	105/2-A2	386809.29	4319703.25
105/2-A3	386808.60	4319706.79	OS.198	386840.35	4319676.79
OS.199	386825.95	4319677.65	OS.200	386813.13	4319707.31

İli : BİNGÖL
İlçesi : MERKEZ
Köy/Mahalle : YENİBAŞLAR
Datum/Dilim : ITRF 96 -3°-42

RÖLEVE KROKİSİ

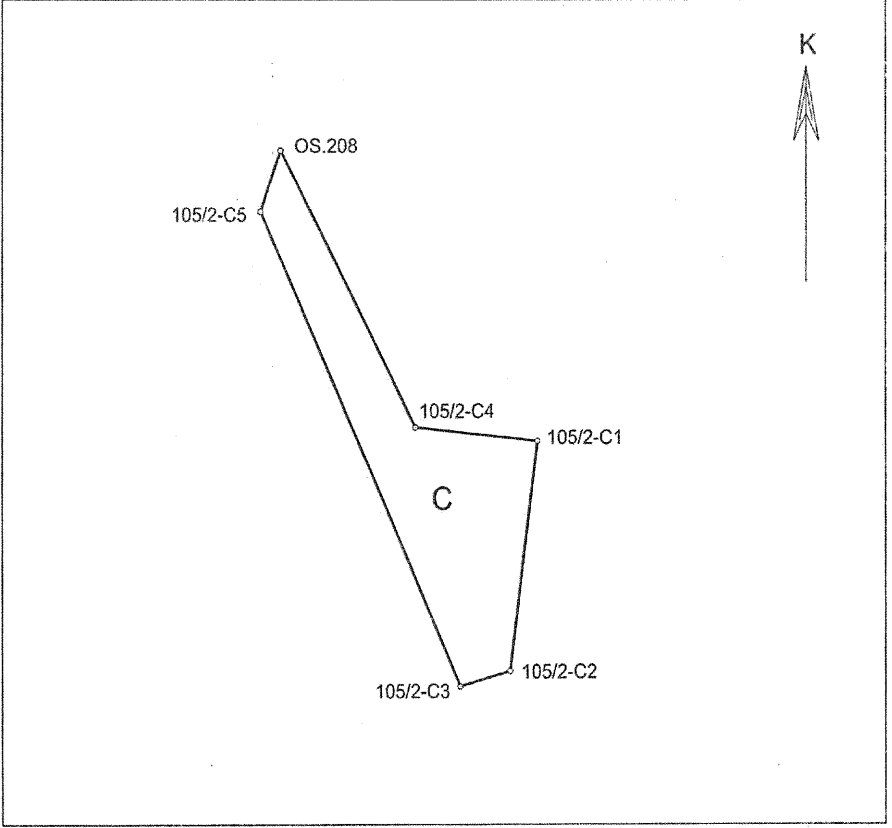


Ada	Parsel	Noktalar	HesapAlan
105	2-B	OS.207,105/2-B1,105/2-B2, 105/2-B3,OS.205,OS.206	852.71

NoktaNo	Y	X	NoktaNo	Y	X
105/2-B1	386630.78	4319757.80	105/2-B2	386604.29	4319727.80
105/2-B3	386599.28	4319726.34	OS.205	386590.24	4319732.60
OS.206	386613.23	4319765.71	OS.207	386619.67	4319782.70

İli : BİNGÖL
İlçesi : MERKEZ
Köy/Mahalle : YENİBAŞLAR
Datum/Dilim : ITRF 96 -3°-42

RÖLEVE KROKİSİ

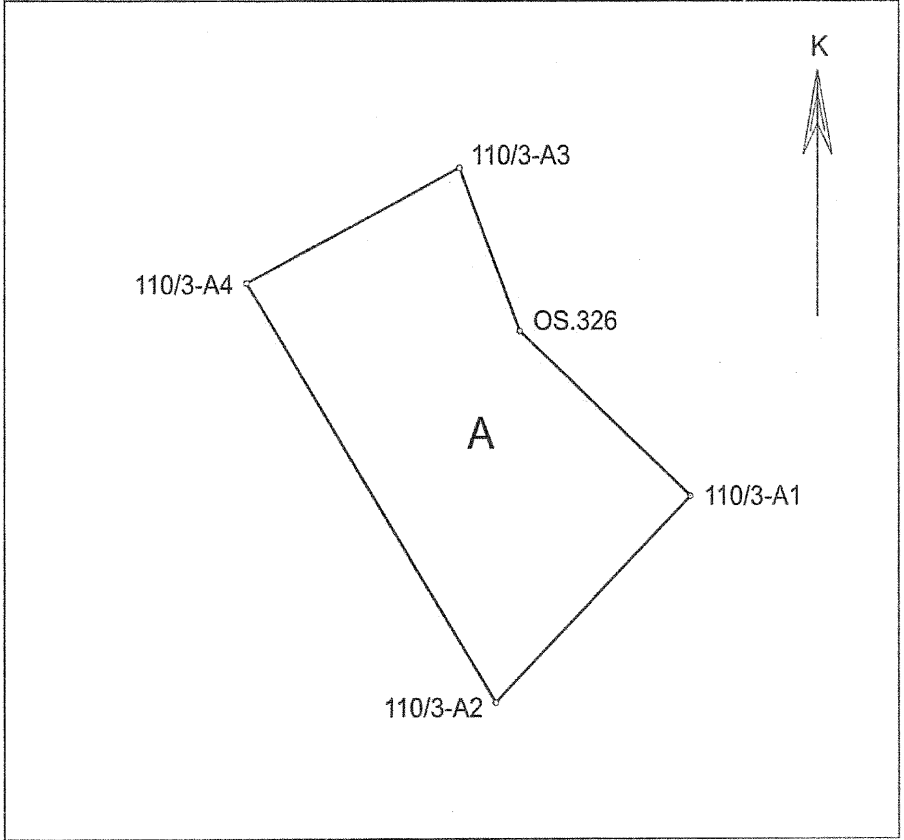


Ada	Parsel	Noktalar	HesapAlan
105	2-C	OS.208,105/2-C4,105/2-C1, 105/2-C2,105/2-C3,105/2-C5	505.94

NoktaNo	Y	X	NoktaNo	Y	X
105/2-C1	386655.99	4319773.36	105/2-C2	386652.90	4319749.43
105/2-C3	386647.25	4319747.86	105/2-C4	386642.12	4319774.81
105/2-C5	386624.73	4319797.19	OS.208	386626.96	4319803.59

İli : BİNGÖL
İlçesi : MERKEZ
Köy/Mahalle : YENİBAŞLAR
Datum/Dilim : ITRF 96 -3°-42

RÖLEVE KROKİSİ

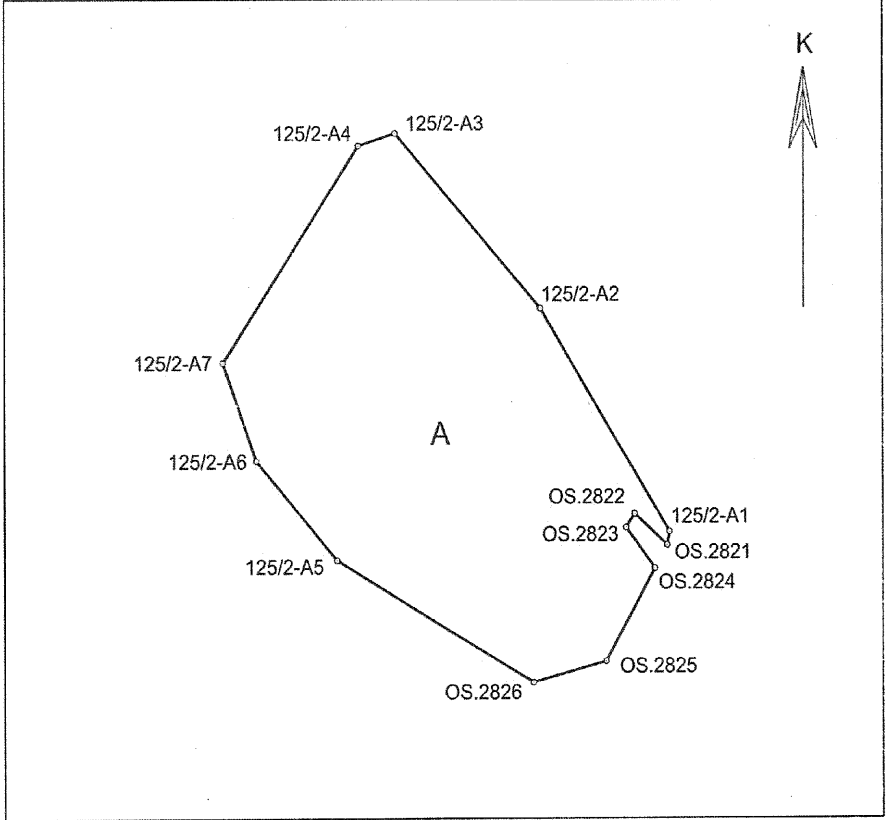


Ada	Parsel	Noktalar	HesapAlan
110	3-A	OS.326,110/3-A1,110/3-A2, 110/3-A4,110/3-A3	470.45

NoktaNo	Y	X	NoktaNo	Y	X
110/3-A1	386019.79	4319327.72	110/3-A2	386006.26	4319314.53
110/3-A3	386003.73	4319348.68	110/3-A4	385988.92	4319341.34
OS.326	386007.95	4319338.25			

İli : BİNGÖL
İlçesi : MERKEZ
Köy/Mahalle : YENİBAŞLAR
Datum/Dilim : ITRF 96 -3°-42

RÖLEVE KROKİSİ

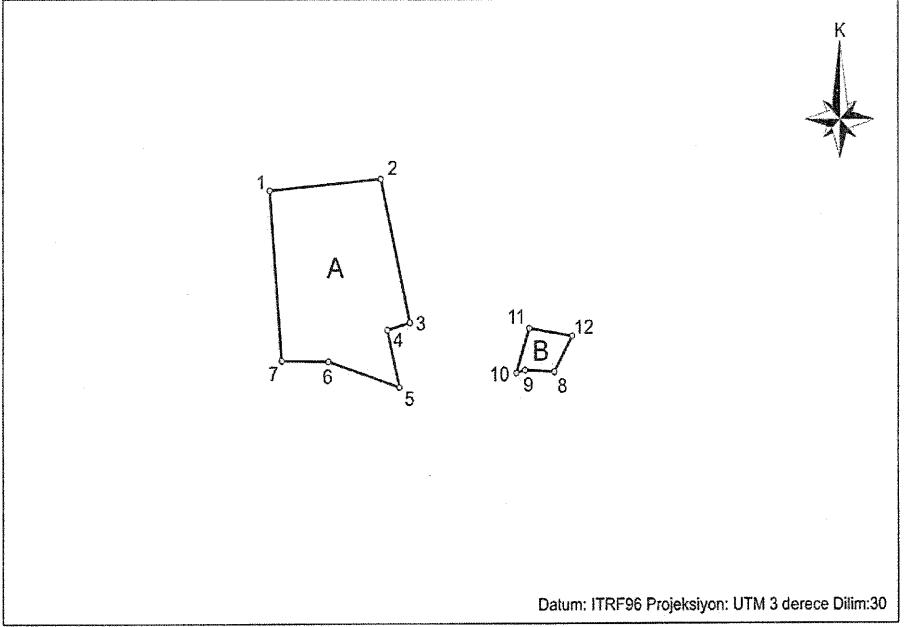


Ada	Parsel	Noktalar	HesapAlan
125	2-A	125/2-A1,OS.2821,OS.2822, OS.2823,OS.2824,OS.2825, OS.2826,125/2-A5,125/2-A6, 125/2-A7,125/2-A4,125/2-A3, 125/2-A2	23312.85

NoktaNo	Y	X	NoktaNo	Y	X
125/2-A1	386611.36	4319789.61	125/2-A2	386556.04	4319878.32
125/2-A3	386493.72	4319947.41	125/2-A4	386477.95	4319942.53
125/2-A5	386468.56	4319778.45	125/2-A6	386434.02	4319817.87
125/2-A7	386419.75	4319856.92	OS.2821	386610.40	4319784.23
OS.2822	386596.38	4319796.72	OS.2823	386592.78	4319791.24
OS.2824	386605.14	4319775.07	OS.2825	386584.30	4319738.47
OS.2826	386552.89	4319730.13			

İli : BURSA
İlçesi : MUDANYA
Köyü /Mahallesi : HASKÖY

RÖLEVE ÖLÇÜ KROKİSİ

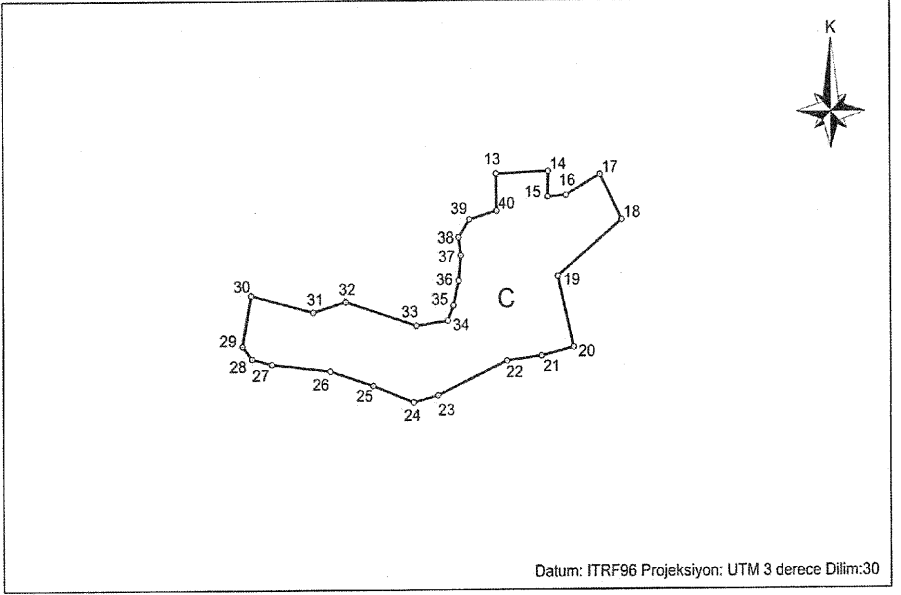


Ada	Parsel	Noktalar	HesapAlan
A		1,2,3,4,5,6,7	1475.99
B		8,9,10,11,12	109.31

NoktaNo	Y	X	NoktaNo	Y	X
1	404511.41	4461833.39	2	404541.96	4461836.24
3	404549.98	4461801.03	4	404543.77	4461799.22
5	404547.13	4461785.30	6	404527.59	4461791.59
7	404514.78	4461791.79	8	404590.09	4461789.02
9	404581.97	4461789.42	10	404579.60	4461788.74
11	404583.16	4461799.58	12	404595.02	4461797.71

İli : BURSA
İlçesi : MUDANYA
Köyü /Mahallesi : HASKÖY

RÖLEVE ÖLÇÜ KROKİSİ

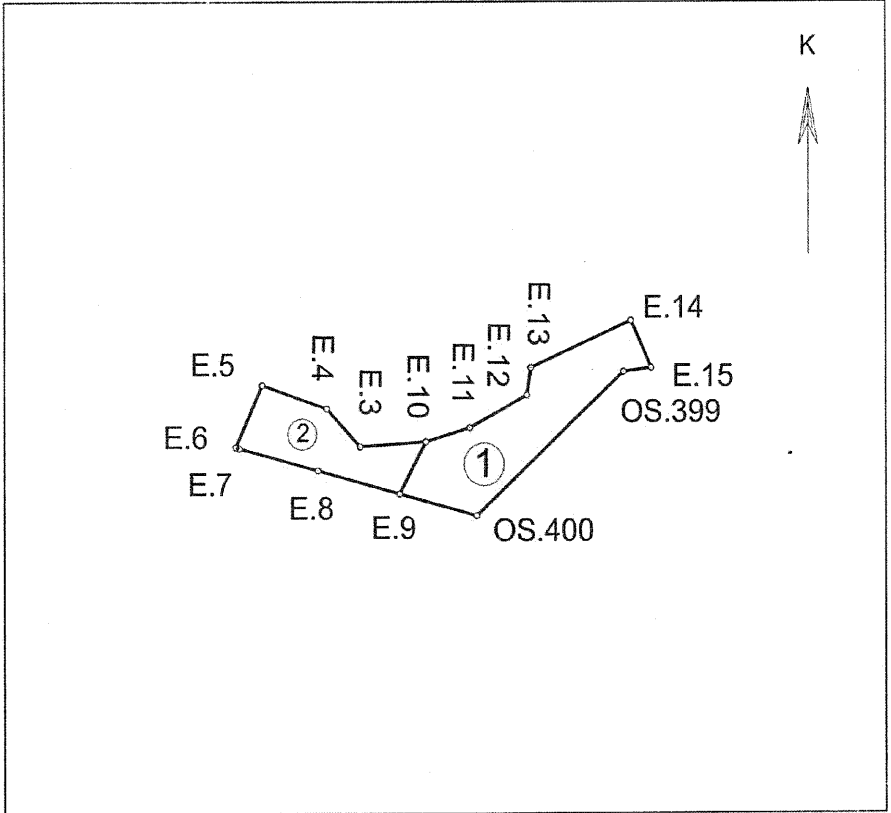


Ada	Parsel	Noktalar	HesapAlan
2699	C	13,14,15,16,17,18,19,20,21,22, 23,24,25,26,27,28,29,30,31,32, 33,34,35,36,37,38,39,40	2604.71

NoktaNo	Y	X	NoktaNo	Y	X
13	404686.06	4461824.81	14	404700.67	4461825.43
15	404700.54	4461818.82	16	404705.66	4461819.19
17	404715.15	4461824.56	18	404721.26	4461812.83
19	404703.29	4461798.34	20	404707.75	4461780.01
21	404698.72	4461777.79	22	404689.04	4461776.52
23	404669.73	4461767.62	24	404662.91	4461765.81
25	404651.58	4461770.16	26	404639.61	4461773.93
27	404623.14	4461775.75	28	404617.71	4461777.13
29	404615.02	4461780.47	30	404617.49	4461793.55
31	404634.76	4461789.18	32	404643.92	4461791.88
33	404663.68	4461785.64	34	404672.53	4461786.89
35	404674.09	4461790.84	36	404675.57	4461797.22
37	404676.20	4461803.71	38	404675.57	4461808.33
39	404678.57	4461812.95	40	404686.18	4461815.20

İli : DENİZLİ
İlçesi : ÇAMELİ
Köy/Mahalle : ARIKAYA
Datum/Dilim : ITRF 96 -3°-30

RÖLEVE KROKİSİ

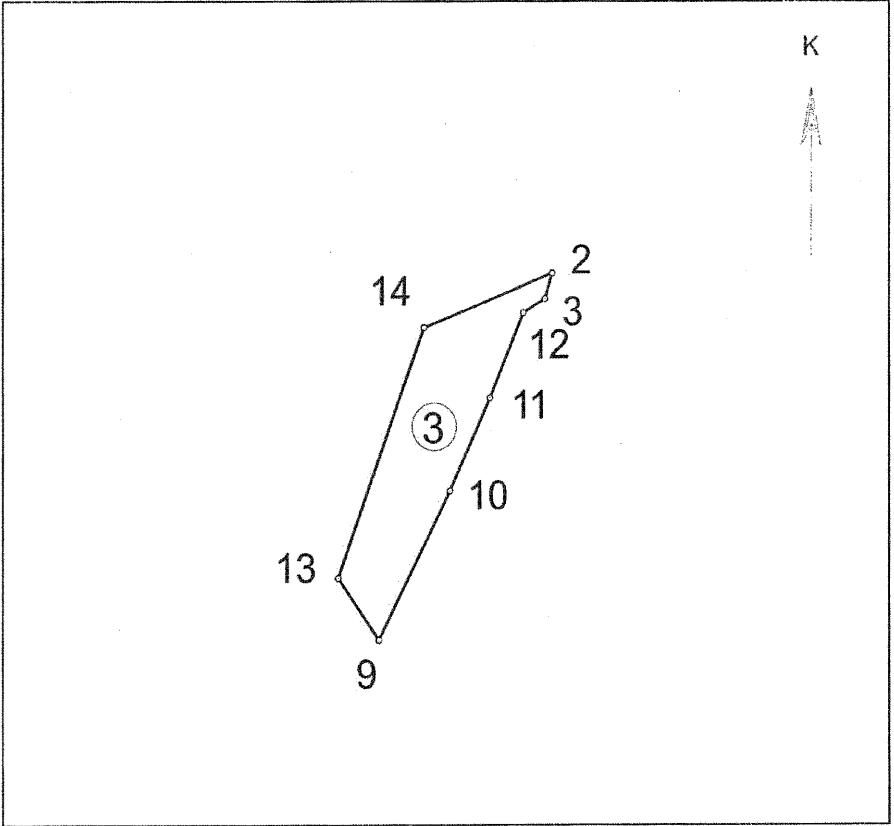


Parsel	Noktalar	HesapAlan
EK16 ALAN-1	E.5,E.4,E.3,E.10,E.9,E.8,E.7, E.6	298.73
EK16 ALAN-2	E.10,E.11,E.12,E.13,E.14,E.15, OS.399,OS.400,E.9	532.66

NoktaNo	Y	X	NoktaNo	Y	X
E.15	443293.92	4093231.94	E.14	443290.03	4093240.10
OS.399	443288.64	4093231.26	E.13	443271.46	4093231.98
E.12	443270.71	4093227.19	OS.400	443261.42	4093206.25
E.11	443260.15	4093221.55	E.10	443251.94	4093219.15
E.9	443247.05	4093210.10	E.3	443239.74	4093218.33
E.4	443233.52	4093224.90	E.8	443231.89	4093214.15
E.5	443221.60	4093228.99	E.7	443217.36	4093218.04
E.6	443216.72	4093218.21			

İli : DENİZLİ
İlçesi : ÇAMELİ
Köy/Mahalle : ARIKAYA
Datum/Dilim : ITRF 96 -3°-30

RÖLEVE KROKİSİ

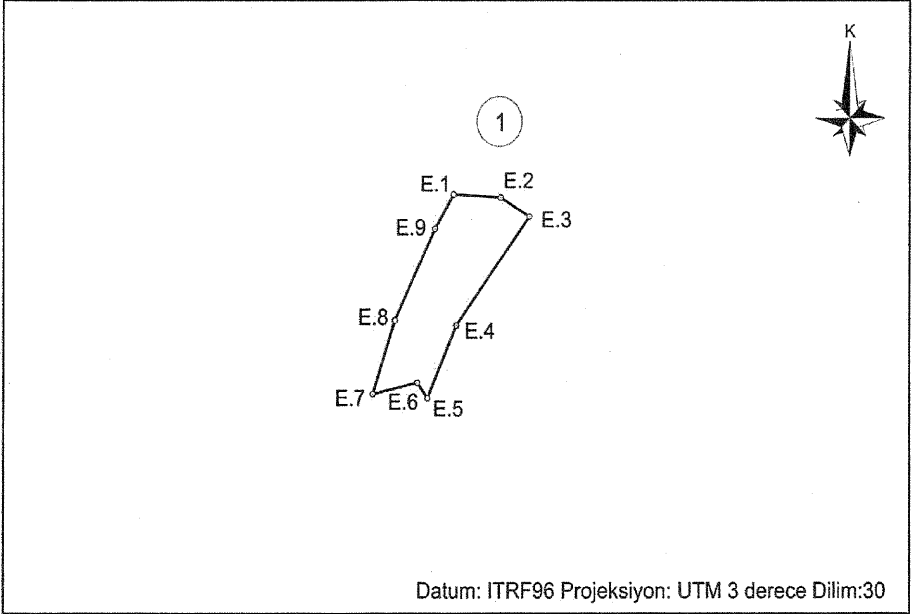


Ada	Parsel	Noktalar	HesapAlan
EK16 ALAN-3		14,2,3,12,11,10,9,13	821.38

NoktaNo	Y	X	NoktaNo	Y	X
2	443098.64	4093881.81	3	443097.30	4093877.45
9	443066.47	4093818.92	10	443079.54	4093844.47
11	443086.96	4093860.45	12	443093.23	4093875.09
13	443058.99	4093829.54	14	443074.74	4093872.54

İli : Denizli
İlçesi : Çameli
Köyü /Mahallesi : Cevizli

RÖLEVE ÖLÇÜ KROKİSİ



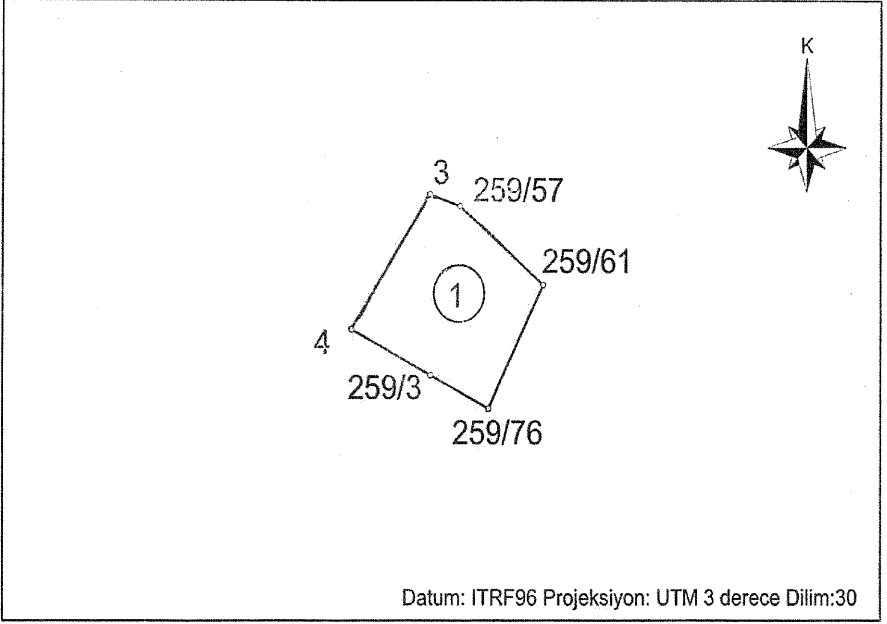
Datum: ITRF96 Projeksiyon: UTM 3 derece Dilim:30

Ada	Parsel	Noktalar	HesapAlan
EK16_ALAN-1		E.2,E.3,E.4,E.5,E.6,E.7,E.8, E.9,E.1	918.56

NoktaNo	Y	X	NoktaNo	Y	X
E.1	434944.26	4096269.82	E.2	434957.21	4096269.08
E.3	434965.08	4096264.34	E.4	434945.06	4096237.34
E.5	434937.17	4096219.28	E.6	434934.34	4096223.14
E.7	434922.15	4096220.34	E.8	434928.14	4096238.61
E.9	434939.21	4096261.27			

İli : Denizli
İlçesi : Çameli
Köyü /Mahallesi : Elmalı

RÖLEVE ÖLÇÜ KROKİSİ

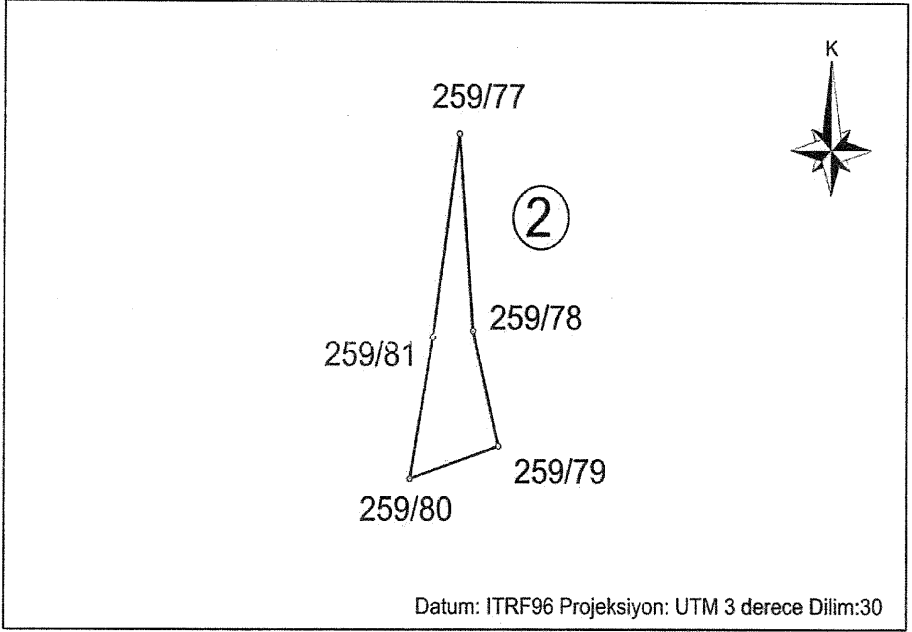


Ada	Parsel	Noktalar	HesapAlan
EK16_ALAN-1		259/76,259/3,4,3,259/57,259/61	1566.47

NoktaNo	Y	X	NoktaNo	Y	X
3	432618.87	4092394.54	4	432596.84	4092361.13
259/3	432619.09	4092349.83	259/57	432627.30	4092391.65
259/61	432650.74	4092372.13	259/76	432635.36	4092341.60

İli : Denizli
İlçesi : Çameli
Köyü /Mahallesi : Elmalı

RÖLEVE ÖLÇÜ KROKİSİ

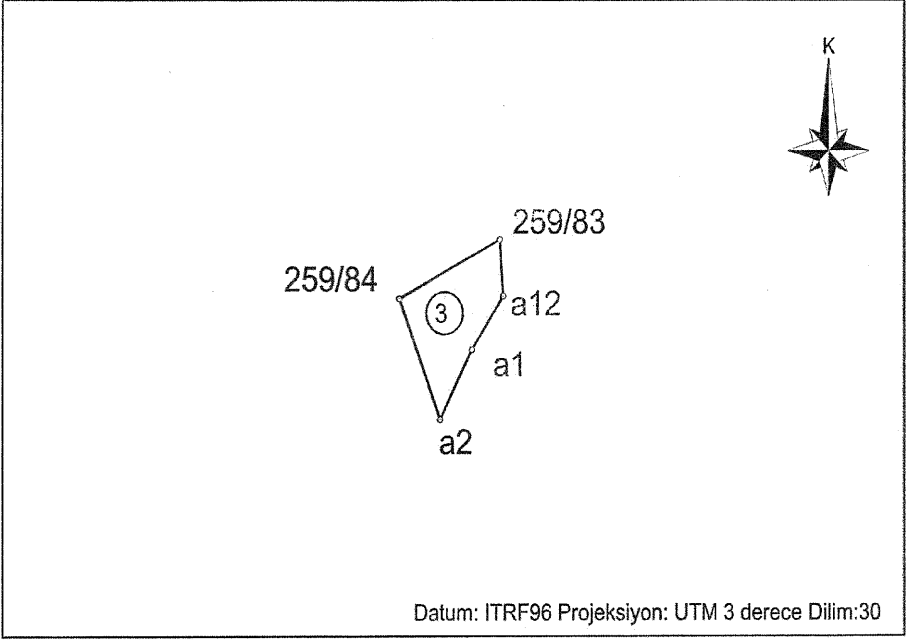


Ada	Parsel	Noktalar	HesapAlan
EK16_ALAN-2		259/79,259/80,259/81,259/77, 259/78	819.12

NoktaNo	Y	X	NoktaNo	Y	X
259/77	432652.85	4092033.60	259/78	432656.71	4091985.75
259/79	432663.64	4091957.59	259/80	432639.50	4091949.55
259/81	432645.73	4091984.21			

İli : Denizli
İlçesi : Çameli
Köyü /Mahallesi : Elmalı

RÖLEVE ÖLÇÜ KROKİSİ

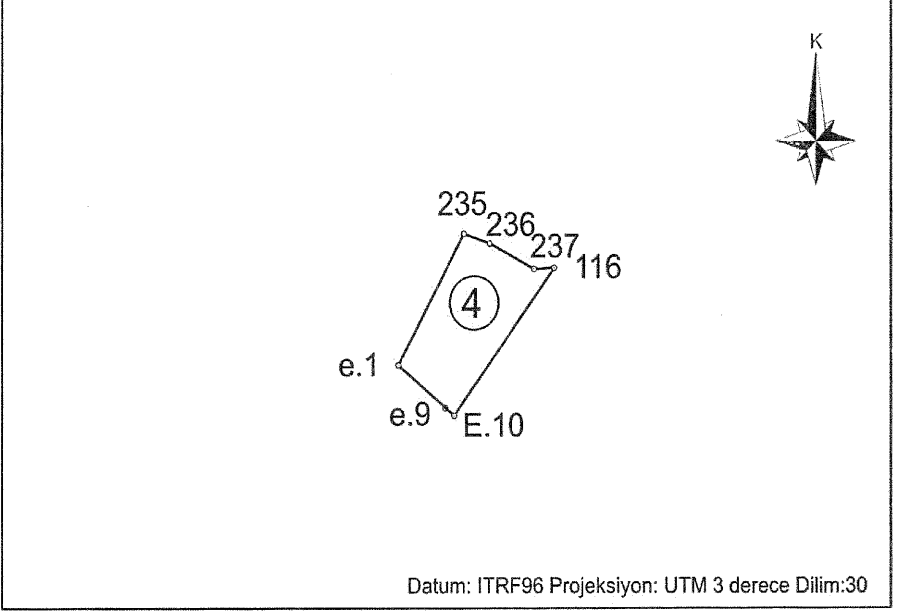


Ada	Parsel	Noktalar	HesapAlan
EK16_ALAN-3		a2,259/84,259/83,a12,a1	596.41

NoktaNo	Y	X	NoktaNo	Y	X
259/83	433279.78	4091669.90	259/84	433252.16	4091655.74
a1	433272.11	4091643.43	a2	433263.39	4091626.70
a12	433280.72	4091656.33			

İli : Denizli
İlçesi : Çameli
Köyü /Mahallesi : Elmalı

RÖLEVE ÖLÇÜ KROKİSİ

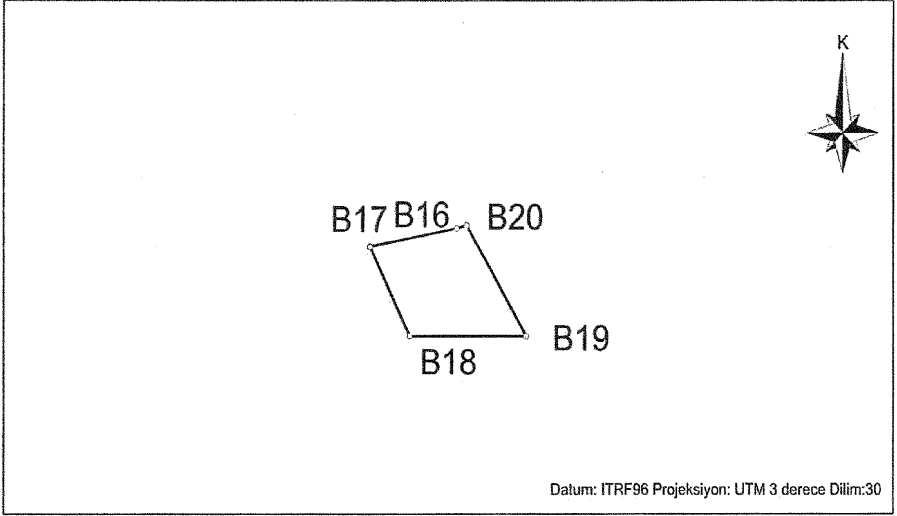


Ada	Parsel	Noktalar	HesapAlan
EK16_ALAN-4		116,E.10,e.1,235,236,237	939.27

NoktaNo	Y	X	NoktaNo	Y	X
116	432099.68	4092108.12	235	432074.50	4092116.65
236	432081.62	4092114.21	237	432094.02	4092107.84
E.10	432071.84	4092070.98	e.1	432056.23	4092083.64

İli : Denizli
İlçesi : Çameli
Köyü /Mahallesi : Kalinkoz

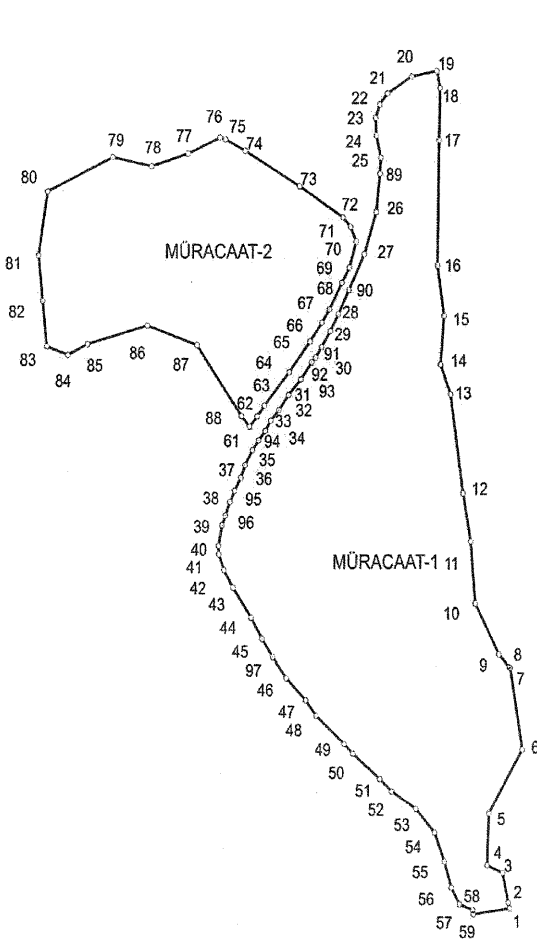
RÖLEVE ÖLÇÜ KROKİSİ



Ada Parsel	Noktalar	HesapAlan
EK16 ALAN	B19,B18,B17,B16,B20	302.42

NoktaNo	Y	X	NoktaNo	Y	X
B16	439146.00	4111034.63	B17	439130.80	4111031.79
B18	439137.84	4111017.87	B19	439158.07	4111017.87
B20	439147.71	4111035.09			

İli : Denizli
İlçesi : Çameli
Köyü /Mahallesi : Yunuspınarı



DATUM : ITRF D.O.M. : 30 Projeksiyon : UTM 3 derece

İli : Denizli
İlçesi : Çameli
Köyü /Mahallesi : Yunuspinarı

KOORDİNE ÖZETLİ ALAN CETVELİ

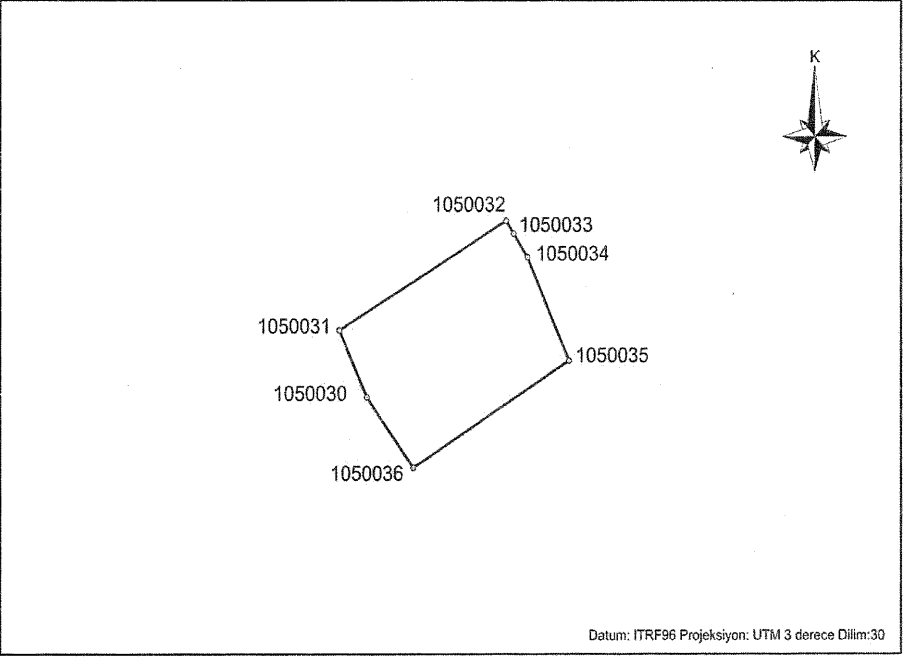
DATUM : ITRF D.O.M. : 30 Projeksiyon : UTM 3 derece

NoktaNo	Y	X	NoktaNo	Y	X
5	440874.47	4104708.37	7	440868.83	4104741.24
8	440868.33	4104741.50	1	440868.32	4104644.50
2	440867.65	4104646.83	3	440865.06	4104658.82
9	440863.40	4104746.53	5	440858.52	4104682.68
4	440857.55	4104661.93	10	440851.99	4104766.89
59	440850.79	4104642.20	58	440850.60	4104643.89
11	440849.81	4104791.83	12	440846.11	4104811.06
57	440844.29	4104646.22	56	440840.41	4104652.96
13	440840.07	4104850.61	55	440837.08	4104663.49
15	440836.90	4104882.30	14	440835.30	4104862.56
18	440834.76	4104973.40	17	440834.32	4104952.67
16	440833.72	4104902.52	19	440833.24	4104980.30
54	440832.41	4104675.03	53	440823.32	4104684.65
20	440821.13	4104978.10	52	440811.87	4104691.63
21	440809.51	4104971.18	25	440806.39	4104945.67
51	440806.19	4104696.63	89	440806.03	4104939.22
22	440805.75	4104966.81	26	440804.24	4104923.95
24	440804.19	4104954.55	23	440803.82	4104961.38
27	440798.62	4104907.07	70	440794.69	4104912.07
50	440793.21	4104706.86	71	440792.02	4104917.97
69	440791.48	4104901.71	90	440791.27	4104892.66
49	440789.14	4104710.75	72	440788.37	4104921.73
68	440787.89	4104895.49	28	440786.20	4104882.91
29	440782.26	4104876.00	67	440781.85	4104884.87
66	440778.23	4104879.47	91	440778.10	4104869.64
48	440775.45	4104722.13	30	440775.16	4104865.42
92	440773.33	4104863.54	65	440772.46	4104871.86
47	440770.44	4104728.36	93	440768.16	4104856.70
73	440767.35	4104934.29	64	440762.61	4104859.63
31	440762.32	4104850.40	46	440761.27	4104737.31
32	440757.78	4104844.35	97	440754.81	4104745.70
33	440753.87	4104840.07	34	440751.26	4104835.95
63	440750.82	4104846.13	45	440749.76	4104752.83
94	440748.18	4104832.15	62	440747.52	4104841.81
35	440745.26	4104828.27	44	440744.64	4104761.33
61	440743.77	4104837.64	36	440741.72	4104822.21
74	440741.58	4104948.40	88	440739.97	4104841.96
37	440739.71	4104817.37	95	440736.79	4104812.13
43	440736.04	4104773.31	38	440734.52	4104807.65
96	440732.33	4104802.30	75	440732.14	4104952.99
42	440731.63	4104780.50	39	440730.77	4104798.35
76	440729.56	4104953.66	41	440729.24	4104786.74
40	440729.09	4104790.18	87	440718.65	4104870.34
77	440714.28	4104947.28	78	440696.72	4104942.23
86	440694.82	4104878.26	79	440677.74	4104945.78
85	440665.71	4104870.77	84	440656.29	4104866.44
80	440646.47	4104932.11	83	440646.12	4104869.82
82	440644.16	4104888.15	81	440642.19	4104906.48

Parsel	Noktalar	HesapAlan
MÜRACAAT-2 VE OLUMLU	71,70,69,68,67,66,65,64,63,62, 61,88,87,86,85,84,83,82,81,80, 79,78,77,76,75,74,73,72	10811.18
MÜRACAAT-1 VE OLUMLU	1,59,58,57,56,55,54,53,52,51, 50,49,48,47,46,97,45,44,43,42, 41,40,39,96,38,95,37,36,35,94, 34,33,32,31,93,92,30,91,29,28, 90,27,26,89,25,24,23,22,21,20, 19,18,17,16,15,14,13,12,11,10, 9,8,7,5,4,3,2	22504.12

İli : Denizli
İlçesi : Tavas
Köyü /Mahallesi : Güzelköy

RÖLEVE VE ÖLÇÜ KROKİSİ

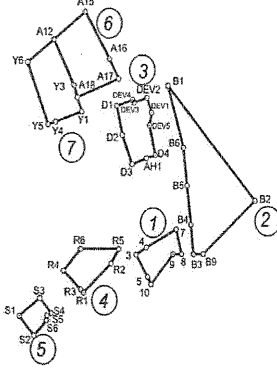
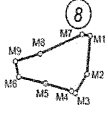


Ada Parsel	Noktalar	HesapAlan
EK16 ALAN	1050031,1050032,1050033, 1050034,1050035,1050036, 1050030	1347.15

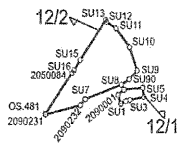
NoktaNo	Y	X	NoktaNo	Y	X
1050030	403255.47	4165981.37	1050031	403249.34	4165994.66
1050032	403286.32	4166016.32	1050033	403287.97	4166013.76
1050034	403291.01	4166009.18	1050035	403300.20	4165988.59
1050036	403265.73	4165967.41			

İli : Denizli
İlçesi : Tavas
Köyü /Mahallesi : Yahşiler

RÖLEVE VE ÖLÇÜ KROKİSİ



12



Datum: ITRF96 Projeksiyon: UTM 3 derece Dilim:30

İli : Denizli
İlçesi : Tavas
Köyü /Mahallesi : Yahşiler

KOORDİNELİ ALANLAR CETVELİ

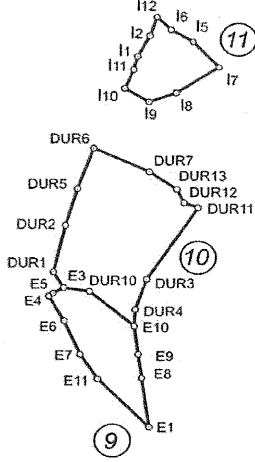
Datum: ITRF96 Projeksiyon: UTM 3 derece Dilim:30

NoktaNo	Y	X	NoktaNo	Y	X
3	402129.23	4167714.52	4	402135.55	4167718.38
5	402136.30	4167702.97	7	402153.59	4167727.66
8	402156.98	4167714.85	9	402151.79	4167714.87
10	402138.30	4167699.00	2050084	402259.36	4167484.57
2090001	402287.32	4167472.81	2090231	402243.11	4167462.53
2090232	402264.36	4167467.47	A12	402079.23	4167826.04
A15	402098.16	4167840.39	A16	402112.85	4167816.12
A17	402118.47	4167805.87	A18	402093.55	4167796.23
AH1	402135.42	4167764.71	B1	402148.30	4167802.32
B2	402202.22	4167742.67	B3	402164.22	4167714.82
B4	402162.69	4167730.09	B5	402160.27	4167750.45
B6	402157.94	4167770.28	B9	402170.46	4167714.80
D1	402117.41	4167791.91	D2	402120.83	4167776.89
D3	402126.67	4167761.54	D4	402140.71	4167766.44
DEV1	402138.46	4167788.33	DEV2	402135.59	4167795.99
DEV3	402127.75	4167793.52	DEV4	402127.10	4167794.95
DEV5	402137.22	4167781.88	M1	401952.06	4167894.16
M2	401950.31	4167874.22	M3	401943.18	4167864.37
M4	401940.69	4167865.43	M5	401924.37	4167869.22
M6	401908.11	4167872.52	M7	401947.15	4167894.84
M8	401921.03	4167884.59	M9	401906.10	4167880.57
OS.481	402243.08	4167462.87	R1	402097.37	4167694.77
R2	402114.21	4167709.99	R3	402095.72	4167696.39
R4	402085.34	4167706.18	R5	402118.85	4167717.59
R6	402095.66	4167717.58	S1	402058.61	4167682.69
S2	402067.46	4167672.48	S3	402071.01	4167691.93
S4	402075.30	4167682.86	S5	402078.07	4167683.96
S6	402075.12	4167680.37	SU1	402289.07	4167468.27
SU2	402292.02	4167469.59	SU3	402294.60	4167470.18
SU4	402303.26	4167471.84	SU5	402302.60	4167476.70
SU6	402291.04	4167475.55	SU7	402267.35	4167470.65
SU8	402289.44	4167478.23	SU9	402299.10	4167485.81
SU10	402294.40	4167498.01	SU11	402286.12	4167507.83
SU12	402280.18	4167511.25	SU13	402279.64	4167512.23
SU15	402264.32	4167491.33	SU16	402260.43	4167486.02
SU90	402294.10	4167481.09	Y1	402096.02	4167788.83
Y3	402091.47	4167802.45	Y4	402080.34	4167783.61
Y5	402075.80	4167782.23	Y6	402063.38	4167814.28

Ada Parsel	Noktalar	HesapAlan
EK16 ALAN-1	8,9,10,5,3,4,7	356.83
EK16 ALAN-2	B3,B4,B5,B6,B1,B2,B9	1799.50
EK16 ALAN-3	D1,DEV4,DEV3,DEV2,DEV1,DEV5, D4,AH1,D3,D2	535.16
EK16 ALAN-4	R4,R6,R5,R2,R1,R3	420.29
EK16 ALAN-5	S5,S4,S6,S2,S1,S3	185.76
EK16 ALAN-6	A12,A15,A16,A17,A18,Y3	906.47
EK16 ALAN-7	Y6,A12,Y3,A18,Y1,Y4,Y5	789.36
EK16 ALAN-8	M9,M8,M7,M1,M2,M3,M4,M5,M6	832.32
EK16 ALAN-12/1	SU5,SU4,SU3,SU2,SU1,2090001, SU6	82.95
EK16 ALAN-12/2	SU13,SU12,SU11,SU10,SU9,SU90, SU8,SU7,2090232,2090231, OS.481,2050084,SU16,SU15	1168.17

İli : Denizli
İlçesi : Tavas
Köyü/Mahallesi : Yahşiler

RÖLEVE VE ÖLÇÜ KROKISI



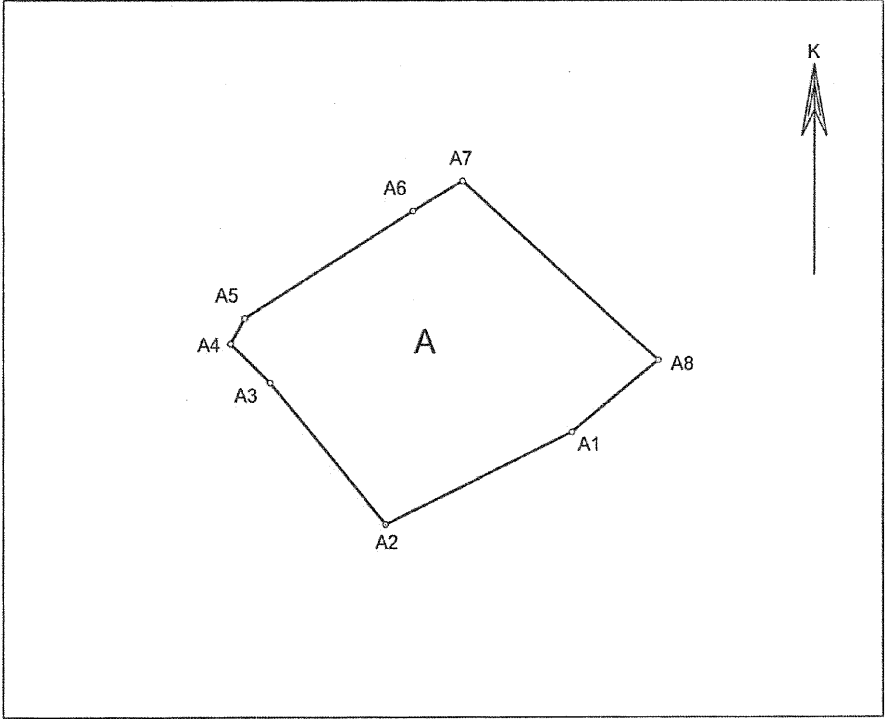
Datum: ITRF96 Projeksiyon: UTM 3 derece Dilim:30

Ada Parsel	Noktalar	HesapAlan
EK16 ALAN-9	E3,DUR10,E10,E9,E8,E1,E11,E7, E6,E4,E5	1218.78
EK16 ALAN-10	DUR13,DUR12,DUR11,DUR3,DUR4, E10,DUR10,E3,DUR1,DUR2,DUR5, DUR6,DUR7	2777.52
EK16 ALAN-11	I12,I6,I5,I7,I8,I9,I10,I11,I1, I2	635.78

NoktaNo	Y	X	NoktaNo	Y	X
DUR1	400614.45	4170091.05	DUR2	400619.47	4170112.73
DUR3	400654.39	4170087.76	DUR4	400649.53	4170073.67
DUR5	400624.49	4170129.49	DUR6	400631.39	4170148.28
DUR7	400655.39	4170137.48	DUR10	400629.85	4170082.14
DUR11	400676.46	4170121.05	DUR12	400670.22	4170123.23
DUR13	400667.14	4170129.37	E1	400655.62	4170018.50
E3	400618.78	4170083.76	E4	400612.42	4170079.92
E5	400614.26	4170081.17	E6	400619.02	4170068.33
E7	400625.90	4170052.64	E8	400652.41	4170041.42
E9	400650.84	4170052.63	E10	400649.13	4170065.89
E11	400633.41	4170041.07	I1	400650.08	4170191.27
I2	400655.35	4170201.03	I5	400673.89	4170198.33
I6	400664.47	4170203.84	I7	400685.06	4170186.34
I8	400666.77	4170174.25	I9	400655.12	4170170.09
I10	400644.60	4170176.26	I11	400648.42	4170185.17
I12	400658.27	4170209.75			

İli : ELAZIĞ
İlçesi : KARAKOÇAN
Köy/Mahalle : AKKUŞ
Datum-Dilim : ITRF96- 39 3°

RÖLEVE KROKİSİ

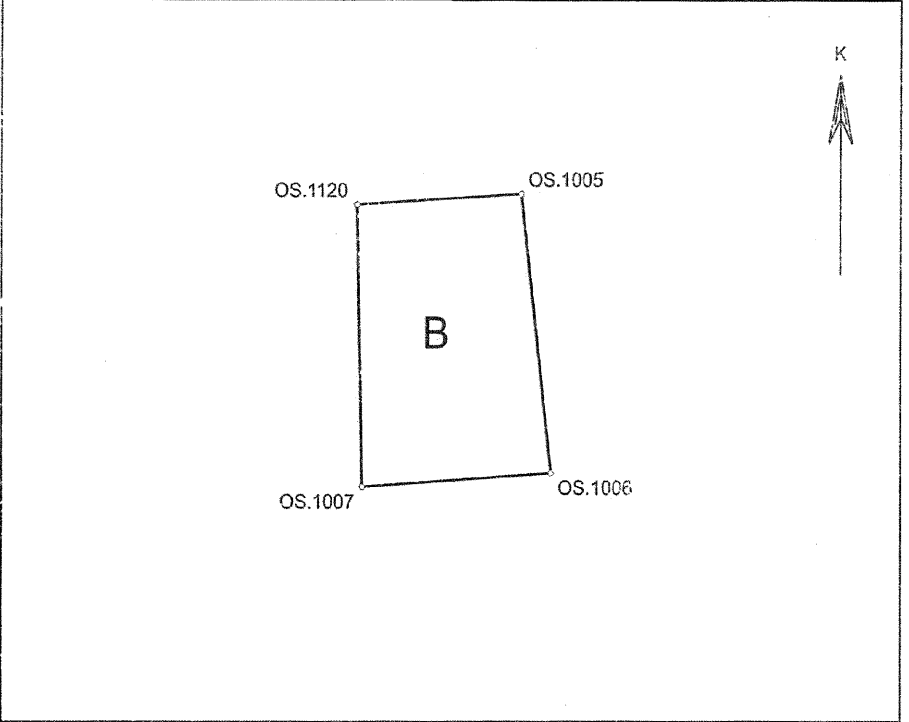


Ada	Parsel	Noktalar	HesapAlan
107	A	A1,A2,A3,A4,A5,A6,A7,A8	1637.92

Nokta No	Y	X
A1	579349.77	4328935.60
A2	579322.03	4328922.60
A3	579304.83	4328942.58
A4	579299.02	4328948.09
A5	579301.09	4328951.70
A6	579326.08	4328966.75
A7	579333.40	4328970.92
A8	579362.60	4328945.79

İli : ELAZIĞ
İlçesi : KARAKOÇAN
Köy/Mahalle : AKKUŞ
Datum-Dilim : ITRF96-39-3°

RÖLEVE KROKİSİ



Ada	Parsel	Noktalar	Hesap Alan
107	B	OS.1007,OS.1120,OS.1005, OS.1006	330.70

Nokta No	Y	X
OS.1005	579382.86	4329114.99
OS.1006	579385.39	4329093.07
OS.1007	579369.41	4329091.99
OS.1120	579368.95	4329114.14

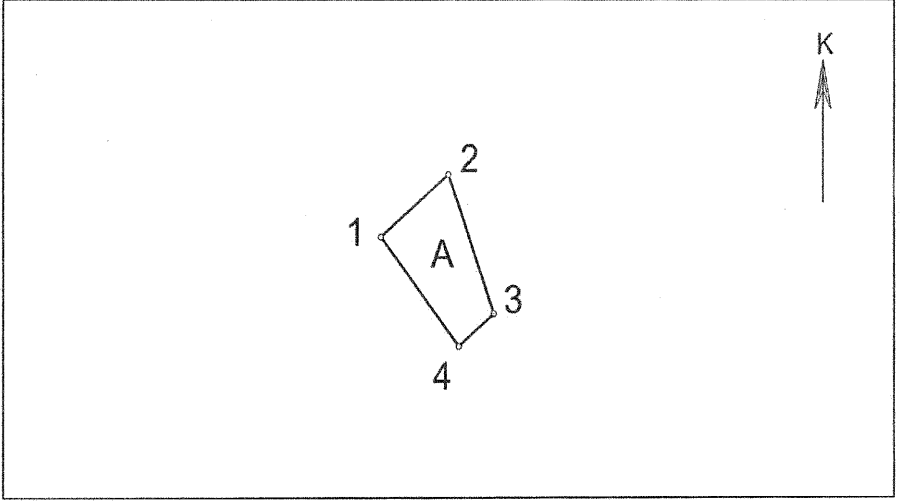
İli: Gümüşhane

İlçesi: Kürtün

Köy/Mahalle: Konacık

Datum/Dilim: ITRF96-3°39

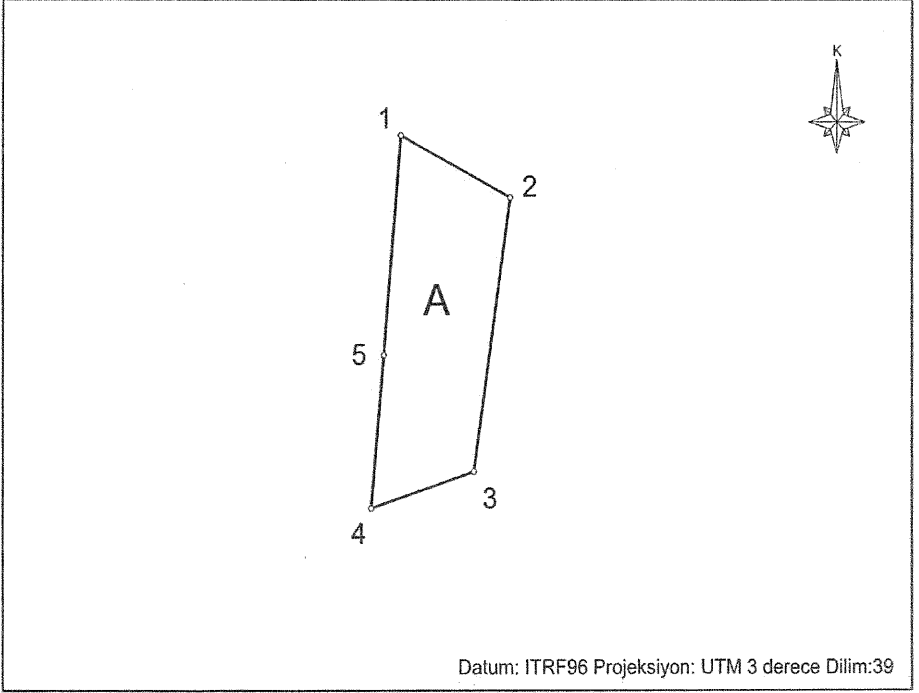
RÖLEVE KROKİSİ



Ada Parsel	Hesap Alan	Nokta No	Y	X
101/A	13.31	1	515882.23	4506841.18
		2	515884.95	4506843.42
		3	515886.76	4506838.45
		4	515885.36	4506837.30

İli: Gümüşhane
İlçesi: Kürtün
Köy/Mahalle: Merkez

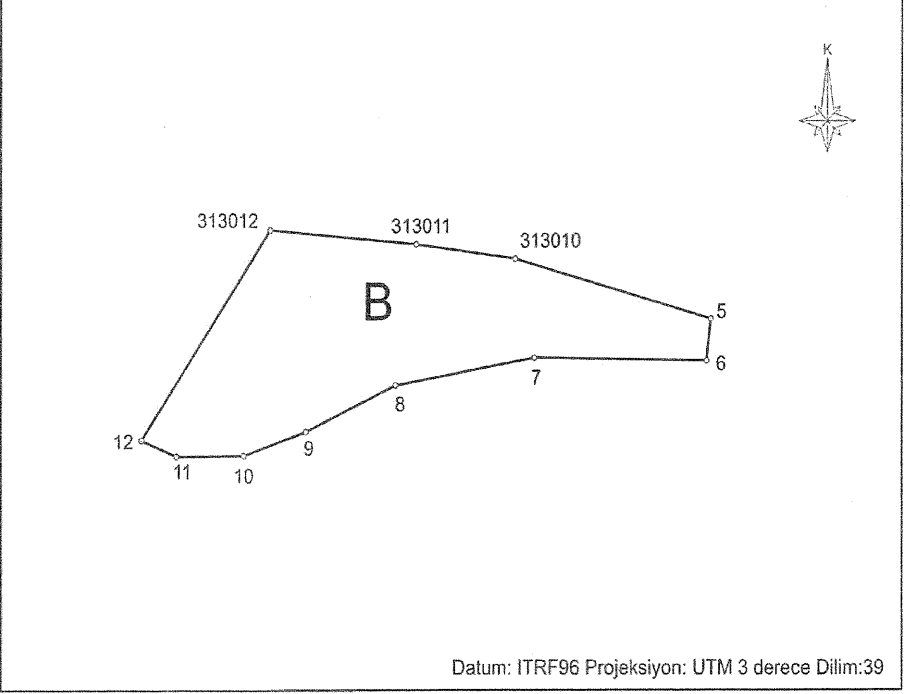
RÖLEVE KROKİSİ



Ada Parsel	Hesap Alan	Nokta No	Y	X
A	4228.79	4	506623.18	4507795.21
		5	506627.79	4507845.95
		1	506634.08	4507918.97
		2	506674.20	4507898.48
		3	506660.98	4507807.30

İli: Gümüşhane
İlçesi: Kürtün
Köy/Mahalle: Merkez

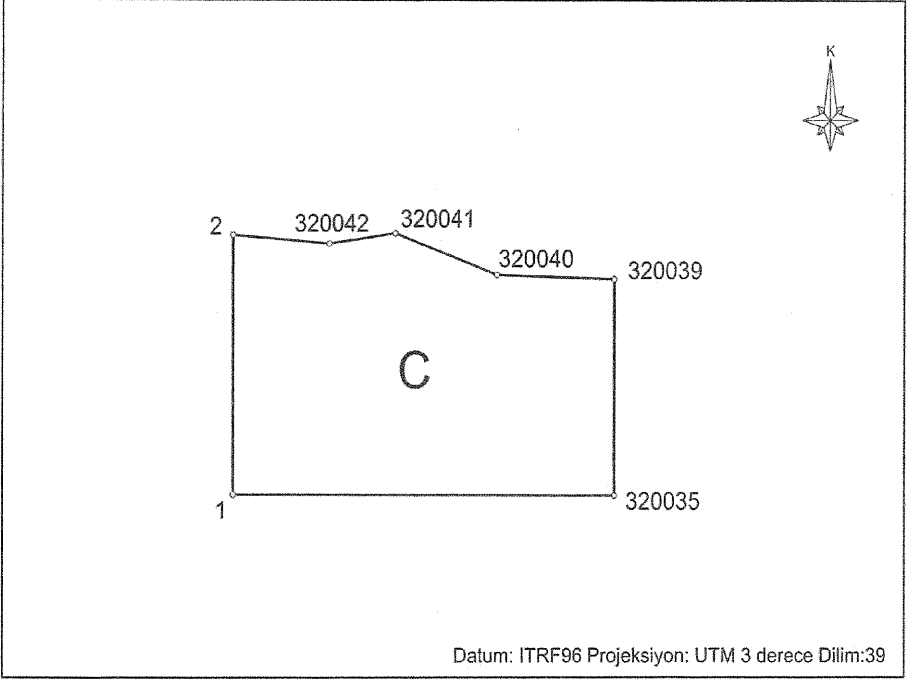
RÖLEVE KROKİSİ



Ada Parsel	Hesap Alan	Nokta No	Y	X
B	16781.05	7	507102.45	4507918.89
		8	507028.59	4507905.75
		9	506980.53	4507883.58
		10	506947.27	4507872.12
		11	506911.77	4507871.77
		12	506893.29	4507879.42
		313012	506961.50	4507979.40
		313011	507039.48	4507972.83
		313010	507092.23	4507965.93
		5	507196.38	4507937.44
		6	507194.12	4507917.57

İli: Gümüşhane
İlçesi: Kürtün
Köy/Mahalle: Merkez

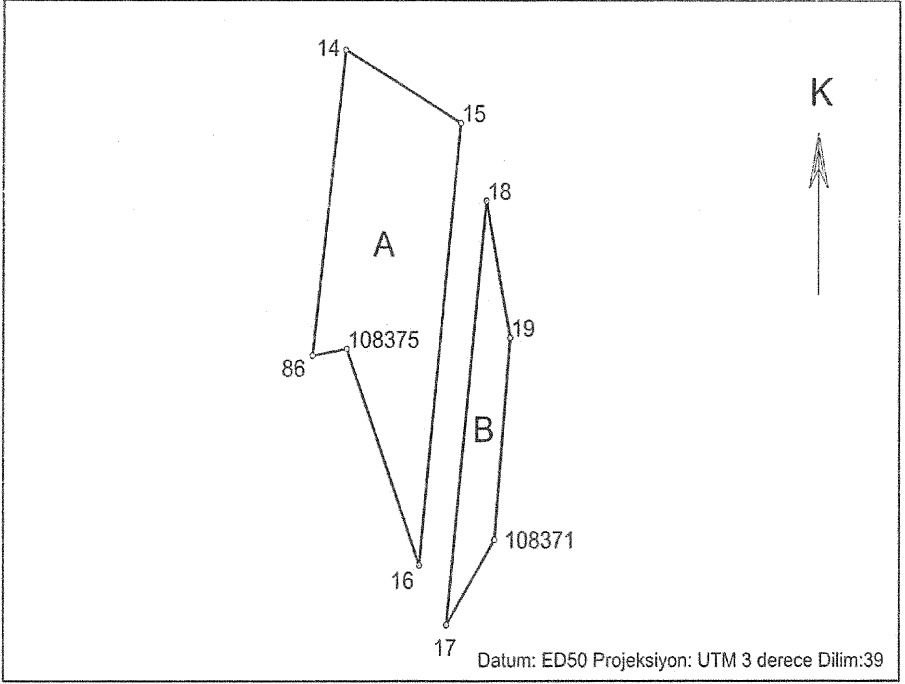
RÖLEVE KROKİSİ



Ada Parsel	Hesap Alan	Nokta No	Y	X
C	6525.39	320042	506882.55	4507833.53
		320041	506901.17	4507836.18
		320040	506929.40	4507825.54
		320039	506962.21	4507824.45
		320035	506962.21	4507769.25
		1	506855.80	4507769.49
		2	506855.80	4507835.72

İli: Gümüşhane
İlçesi: Kürtün
Köy/Mahalle: Süme

RÖLEVE KROKİSİ

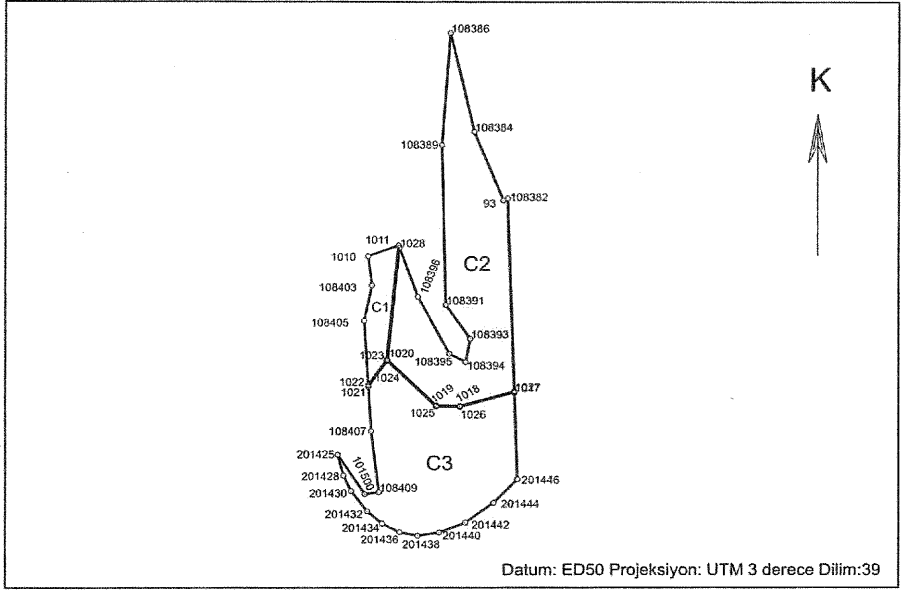


Ada	Parsel	Noktalar	HesapAlan
A		14,15,16,108375,86	8081.89
B		17,18,19,108371	2255.44

NoktaNo	Y	X	NoktaNo	Y	X
14	511570.97	4505448.10	15	511623.64	4505418.13
16	511604.74	4505235.44	17	511617.32	4505210.77
18	511635.41	4505385.99	19	511646.27	4505329.35
86	511555.89	4505321.85	108371	511639.29	4505246.07
108375	511571.64	4505324.60			

İli: Gümüşhane
İlçesi: Kürtün
Köy/Mahalle: Süme

RÖLEVE KROKİSİ

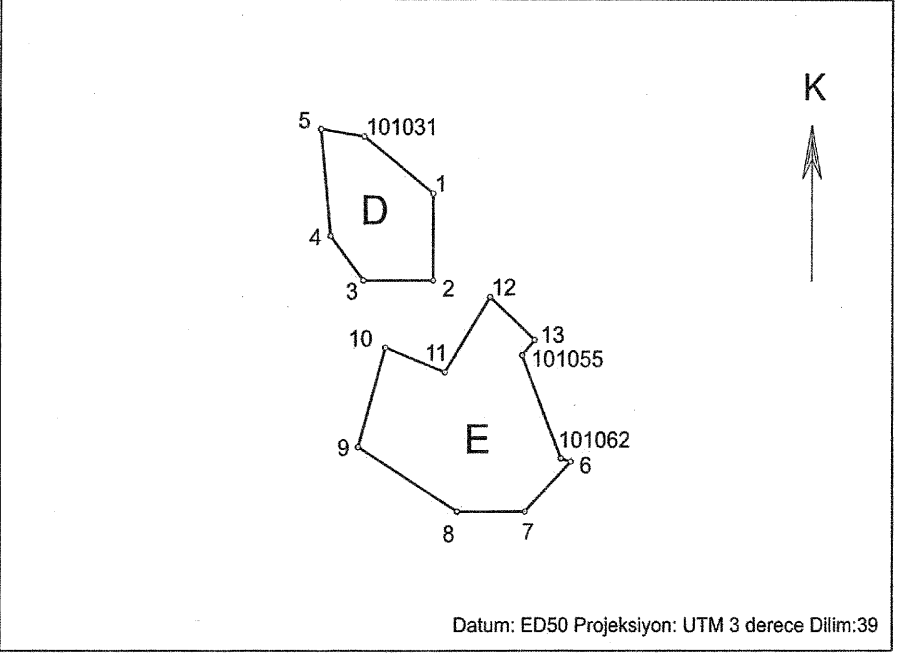


NoktaNo	Y	X	NoktaNo	Y	X
93	511567.26	4505111.92	1010	511435.28	4505055.32
1011	511465.04	4505066.19	1017	511578.23	4504915.29
1018	511525.21	4504900.32	1019	511501.83	4504900.84
1020	511453.92	4504947.73	1021	511435.56	4504921.20
1022	511435.46	4504922.91	1023	511453.35	4504948.69
1024	511454.36	4504948.70	1025	511502.25	4504901.83
1026	511525.08	4504901.32	1027	511578.19	4504916.32
1028	511465.83	4505064.01	101500	511432.01	4504811.44
108382	511571.46	4505113.93	108384	511538.80	4505181.90
108386	511515.59	4505283.21	108389	511507.43	4505168.25
108391	511511.45	4505005.27	108393	511535.14	4504970.50
108394	511530.60	4504946.48	108395	511515.02	4504954.98
108396	511484.02	4505013.72	108403	511439.14	4505025.23
108405	511431.35	4504988.95	108407	511438.40	4504875.54
108409	511446.00	4504813.27	201425	511405.25	4504851.50
201428	511411.00	4504830.25	201430	511418.51	4504814.55
201430	511434.50	4504793.70	201434	511449.25	4504781.20
201432	511466.25	4504772.50	201438	511484.00	4504769.00
201436	511505.10	4504772.25	201442	511530.55	4504782.15
201440	511558.00	4504802.50	201446	511581.25	4504826.50

Ada	Parsel	Noktalar	HesapAlan
C1		1010,1011,1023,1022,108405,108403	2950.40
C2		1028,108396,108395,108394,108393,108391,108389,108386,108384,93,108382,1027,1026,1025,1024	21943.14
C3		1021,1020,1019,1018,1017,201446,201444,201442,201440,201438,201436,201434,201432,201430,201428,201425,101500,108409,108407	18805.06

İli: Gümüşhane
İlçesi: Kürtün
Köy/Mahalle: Süme

RÖLEVE KROKİSİ

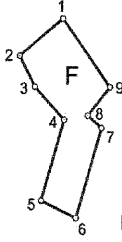
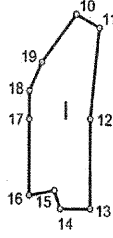


Ada	Parsel	Noktalar	HesapAlan
D		5,101031,1,2,3,4	1007.54
E		13,101055,101062,6,7,8,9,10,11,12	2133.38

NoktaNo	Y	X	NoktaNo	Y	X
1	511797.40	4505535.35	2	511797.42	4505511.70
3	511777.02	4505511.68	4	511767.47	4505523.81
5	511764.69	4505552.93	6	511837.37	4505462.27
7	511823.99	4505448.60	8	511804.47	4505448.58
9	511775.63	4505466.19	10	511783.44	4505493.42
11	511800.87	4505486.70	12	511813.83	4505507.15
13	511826.83	4505495.50	101031	511777.23	4505550.96
101055	511823.11	4505491.36	101062	511834.49	4505463.13

İli: Gümüşhane
İlçesi: Kürtün
Köy/Mahalle: Süme

RÖLEVE KROKİSİ



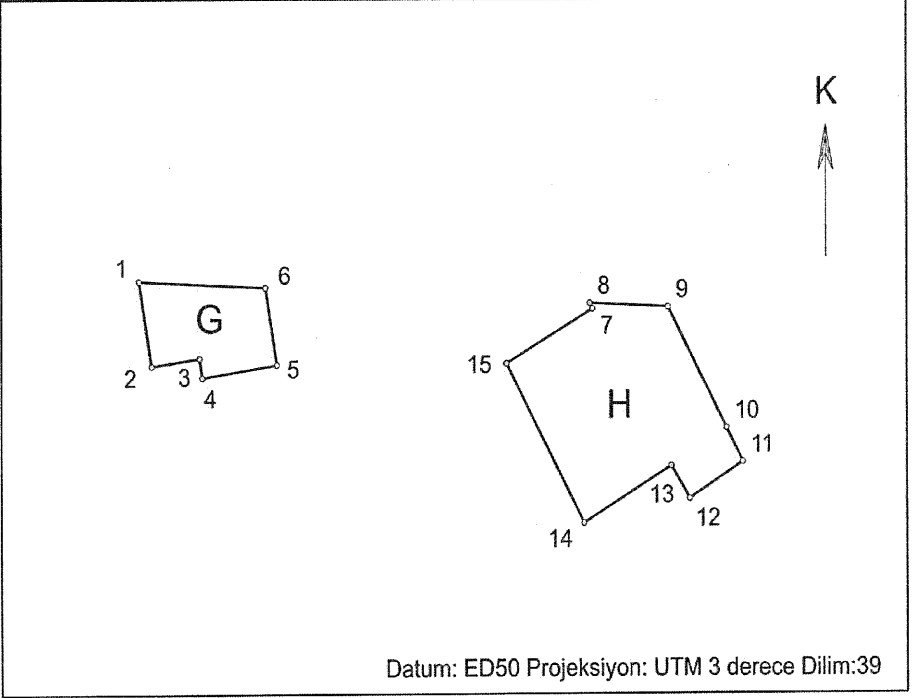
Datum: ED50 Projeksiyon: UTM 3 derece Dilim:39

Ada	Parsel	Noktalar	HesapAlan
F		5,4,3,2,1,9,8,7,6	254.78
I		10,11,12,13,14,15,16,17,18,19	301.07

NoktaNo	Y	X	NoktaNo	Y	X
1	518838.93	4511433.96	2	518830.99	4511427.93
3	518833.79	4511422.90	4	518839.15	4511417.53
5	518835.00	4511404.39	6	518841.27	4511401.53
7	518845.97	4511416.19	8	518843.40	4511418.20
9	518847.49	4511422.78	10	518864.31	4511505.64
11	518868.52	4511503.45	12	518866.88	4511488.61
13	518866.88	4511473.98	14	518861.45	4511473.98
15	518860.41	4511476.97	16	518855.78	4511476.21
17	518855.78	4511488.61	18	518855.82	4511493.20
19	518858.10	4511497.83			

İli: Gümüşhane
İlçesi: Kürtün
Köy/Mahalle: Süme

RÖLEVE KROKİSİ

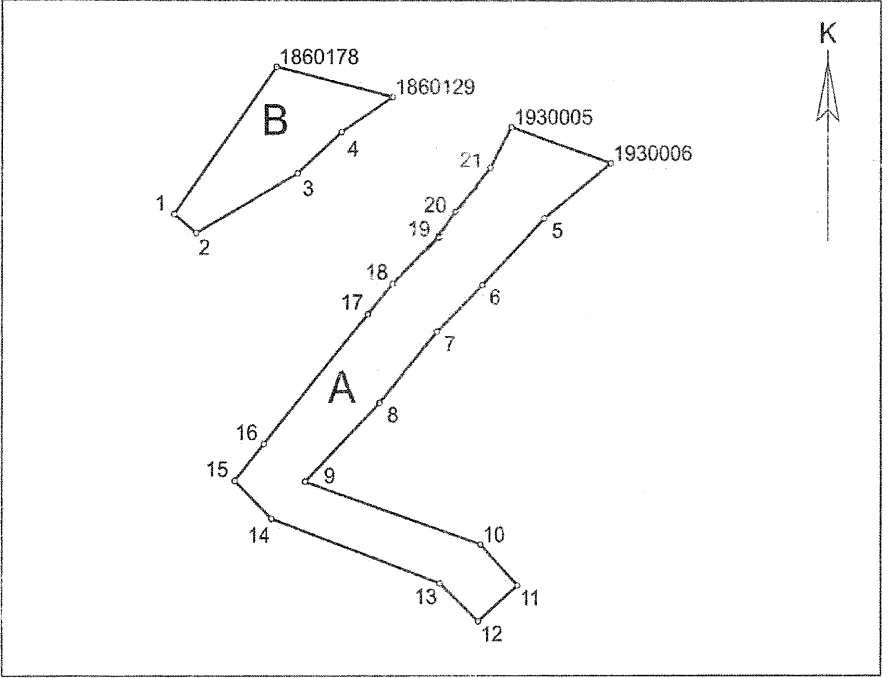


Ada	Parsel	Noktalar	HesapAlan
G		1,6,5,4,3,2	36.08
H		7,8,9,10,11,12,13,14,15	108.62

NoktaNo	Y	X	NoktaNo	Y	X
1	518867.34	4511658.16	2	518868.13	4511653.45
3	518871.10	4511653.89	4	518871.27	4511652.81
5	518875.90	4511653.51	6	518875.20	4511657.81
7	518895.56	4511656.59	8	518895.38	4511656.91
9	518900.26	4511656.69	10	518903.90	4511649.93
11	518904.93	4511648.03	12	518901.60	4511645.99
13	518900.46	4511647.82	14	518895.01	4511644.64
15	518890.19	4511653.57			

İli: Gümüşhane
İlçesi: Torul
Köy/Mahalle: Kirazlık
Datum/Dilim: ITRF96-3°39

RÖLEVE KROKİSİ

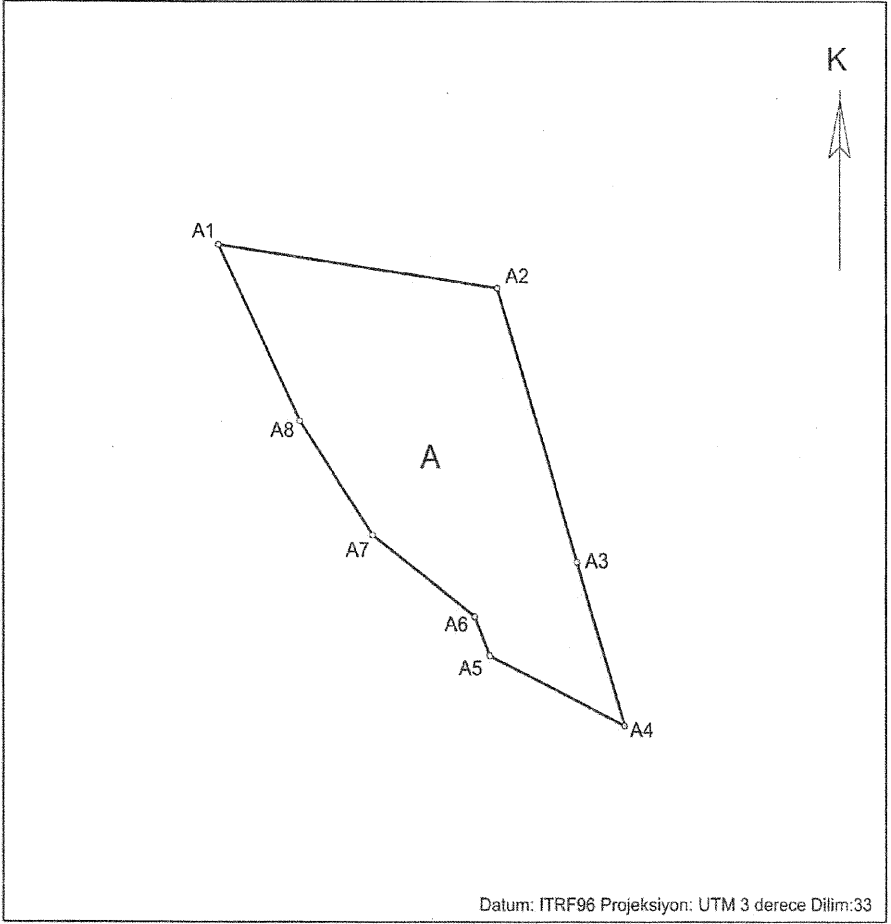


Ada	Parsel	Noktalar	HesapAlan
319	A	1930005,1930006,5,6,7,8,9,10, 11,12,13,14,15,16,17,18,19,20, 21	1710.31
319	B	1,1860178,1860129,4,3,2	560.19

NoktaNo	Y	X	NoktaNo	Y	X
1	518504.38	4501955.29	2	518508.97	4501951.64
3	518529.67	4501963.11	4	518538.65	4501971.12
5	518580.20	4501954.45	6	518567.32	4501941.52
7	518558.01	4501932.44	8	518546.38	4501918.66
9	518531.24	4501903.43	10	518566.98	4501891.30
11	518574.65	4501883.34	12	518566.49	4501876.44
13	518558.65	4501883.77	14	518524.38	4501896.30
15	518516.78	4501903.63	16	518522.80	4501910.72
17	518543.97	4501935.86	18	518548.93	4501941.75
19	518558.33	4501950.91	20	518561.67	4501955.53
21	518568.96	4501964.17	1860129	518548.99	4501977.89
1860178	518525.40	4501983.68	1930005	518573.30	4501972.06
1930006	518593.75	4501965.09			

İli : KARABÜK
İlçesi : MERKEZ
Köy/Mahalle : ÖĞLEBELİ

RÖLEVE KROKİSİ

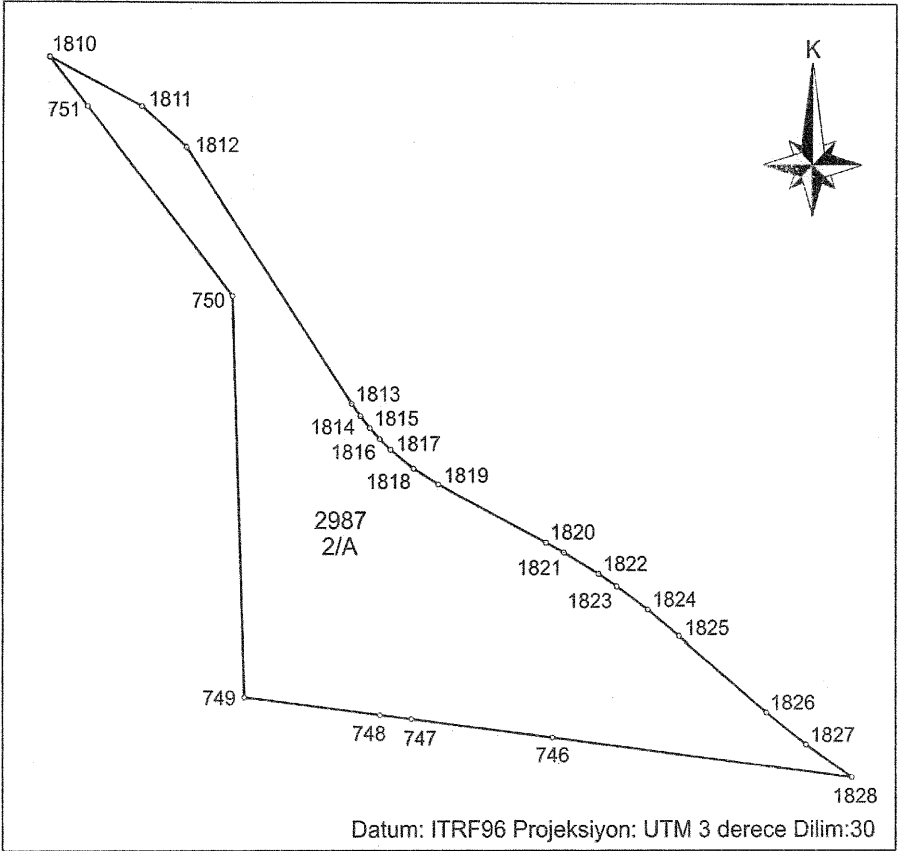


Ada	Parsel	Noktalar	HesapAlan
1775	A	A1,A2,A3,A4,A5,A6,A7,A8	6515.62

NoktaNo	Y	X	NoktaNo	Y	X
A1	468945.04	4560767.21	A2	469025.14	4560755.58
A3	469048.19	4560682.31	A4	469061.87	4560638.60
A5	469022.96	4560657.20	A6	469018.70	4560667.94
A7	468989.33	4560689.55	A8	468968.11	4560720.06

İli:Kocaeli
İlçesi: Körfez
Köy/Mahalle: Kışladüzü-17 Ağustos

RÖLEVE KROKİSİ

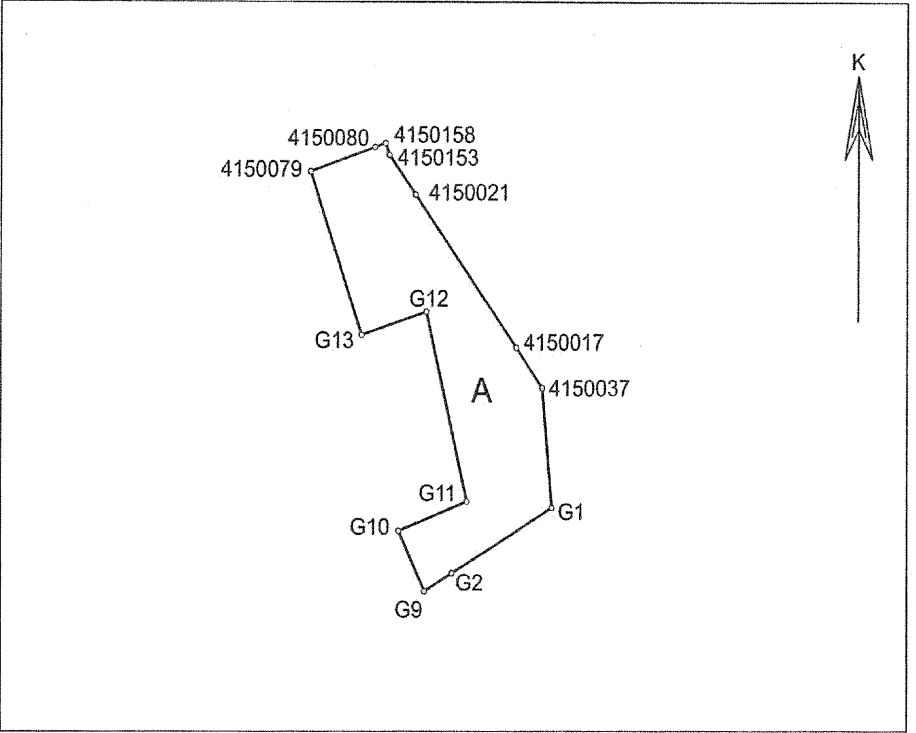


Ada	Parsel	Noktalar	HesapAlan
2987	2/A	1828,746,747,748,749,750,751,1810,1811,1812,1813,1814,1815,1816,1817,1818,1819,1820,1821,1822,1823,1824,1825,1826,1827	18440.42

NoktaNo	Y	X	NoktaNo	Y	X
746	468299.25	4517059.74	747	468245.36	4517066.62
748	468233.42	4517068.14	749	468182.04	4517074.70
750	468177.24	4517221.15	751	468121.94	4517290.35
1810	468107.25	4517308.29	1811	468142.66	4517290.42
1812	468159.51	4517275.56	1813	468222.67	4517181.94
1814	468225.95	4517177.39	1815	468229.50	4517173.06
1816	468233.32	4517168.96	1817	468237.38	4517165.10
1818	468246.19	4517158.18	1819	468255.79	4517152.41
1820	468296.71	4517131.14	1821	468303.44	4517127.52
1822	468316.60	4517119.73	1823	468323.50	4517115.22
1824	468335.48	4517106.69	1825	468347.43	4517097.14
1826	468380.81	4517068.93	1827	468395.84	4517057.15
1828	468413.27	4517044.99			

İLİ : KÜTAHYA
İLÇESİ : SIMAV
KÖY:KALKAN
Datum-Dilim:ITRF96-3-30 derece

RÖLEVE KROKİSİ



Ada	Parsel	Noktalar	HesapAlan
415	A	G2,G9,G10,G11,G12,G13,4150079, 4150080,4150158,4150153, 4150021,4150017,4150037,G1	670.63

NoktaNo	Y	X	NoktaNo	Y	X
4150017	418287.64	4327886.36	4150021	418274.13	4327904.82
4150037	418291.20	4327881.50	4150079	418260.17	4327907.61
4150080	418268.74	4327910.54	4150153	418270.63	4327909.60
4150158	418270.11	4327911.01	G1	418292.50	4327867.01
G2	418279.02	4327859.10	G9	418275.37	4327856.89
G10	418271.92	4327864.22	G11	418280.99	4327867.78
G12	418275.57	4327890.74	G13	418267.03	4327887.92

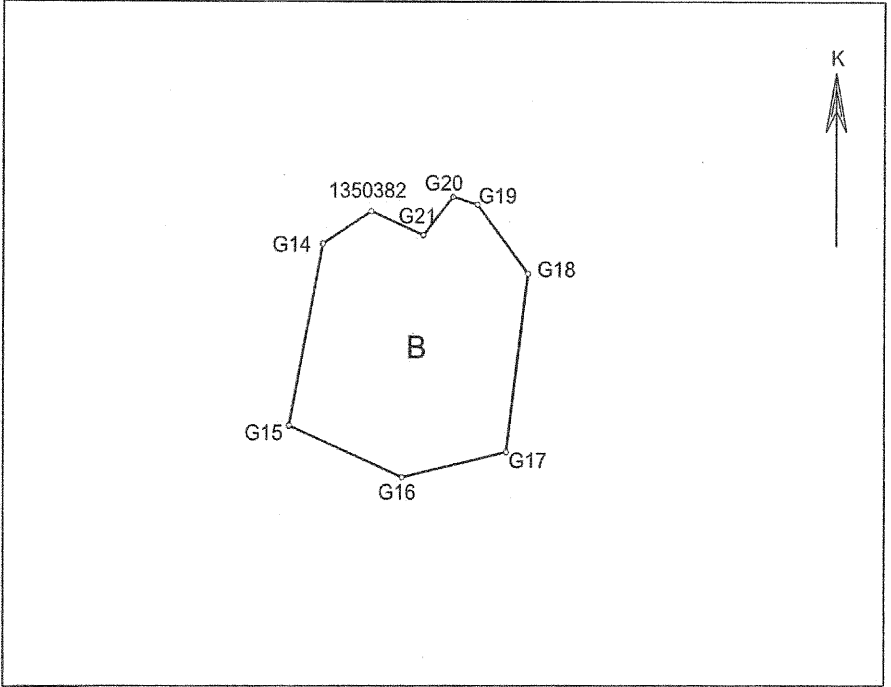
İLİ : KÜTAHYA

İLÇESİ : SİMAV

KÖY: KALKAN

Datum-Dilim: ITRF96-3-30 derece

RÖLEVE KROKİSİ



Ada	Parsel	Noktalar	HesapAlan
135	B	G20,G19,G18,G17,G16,G15,G14, 1350382,G21	886.32

NoktaNo	Y	X	NoktaNo	Y	X
1350382	418731.10	4327789.07	G14	418724.42	4327784.89
G15	418719.80	4327761.46	G16	418735.43	4327754.78
G17	418749.71	4327758.05	G18	418752.67	4327781.06
G19	418745.70	4327789.92	G20	418742.38	4327790.94
G21	418738.35	4327785.99			

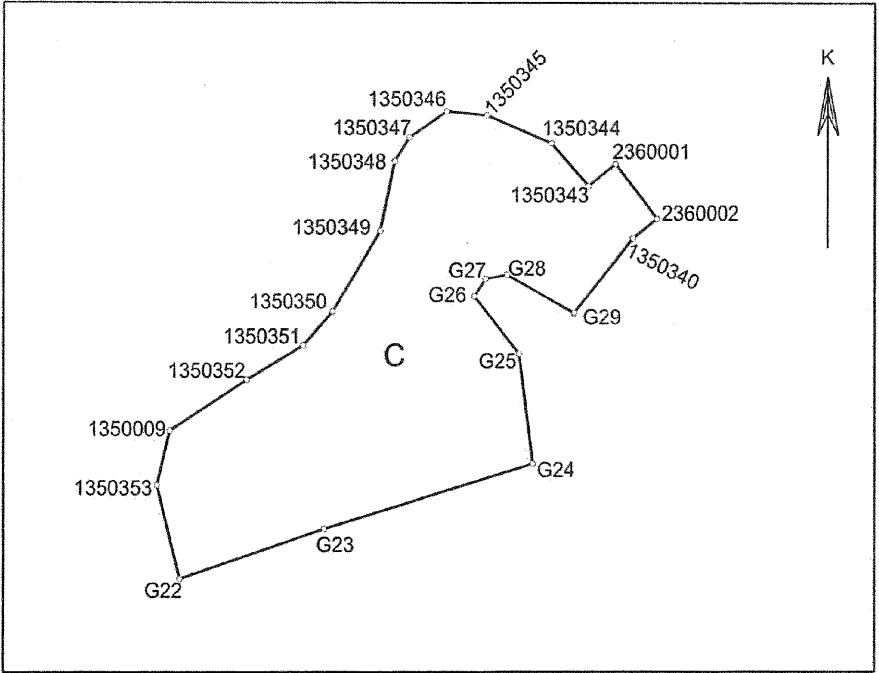
İLİ : KÜTAHYA

İLÇESİ : SİMAV

KÖY:KALKAN

Datum-Dilim:ITRF96-3-30 derece

RÖLEVE KROKİSİ

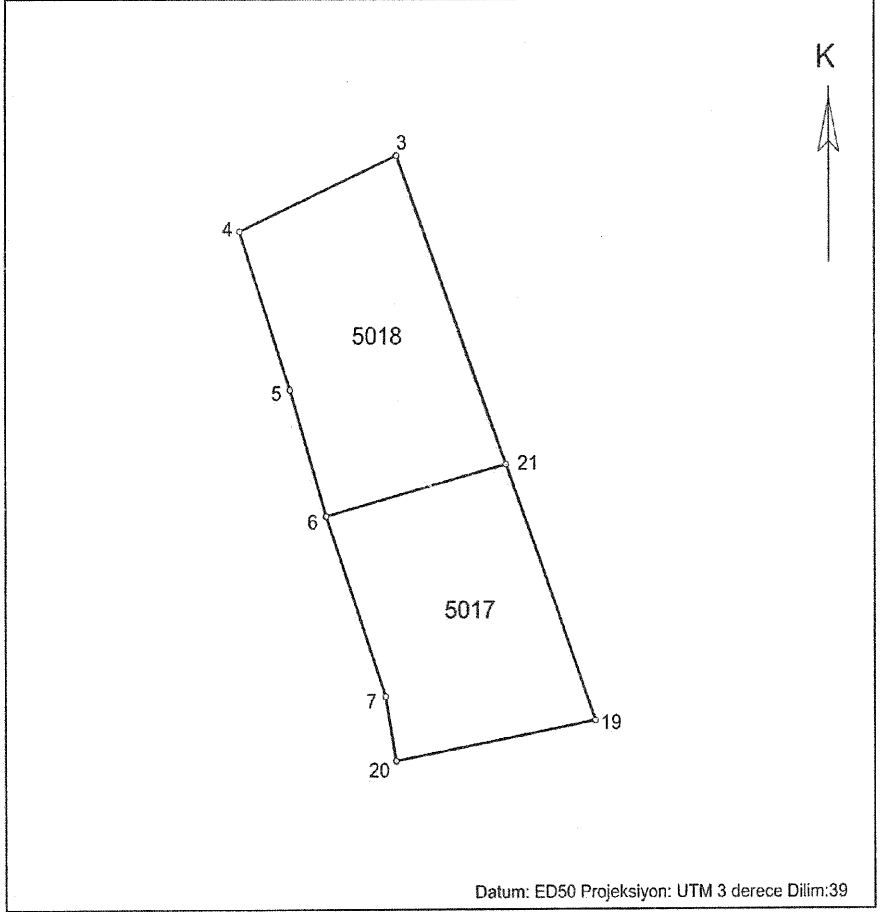


Ada	Parsel	Noktalar	HesapAlan
135	C	G22,1350353,1350009,1350352, 1350351,1350350,1350349, 1350348,1350347,1350346, 1350345,1350344,1350343, 2360001,2360002,1350340,G29, G28,G27,G26,G25,G24,G23	1907.67

NoktaNo	Y	X	NoktaNo	Y	X
1350009	419035.39	4327906.87	1350340	419099.51	4327932.27
1350343	419093.40	4327939.06	1350344	419088.32	4327944.65
1350345	419079.34	4327948.32	1350346	419073.76	4327948.84
1350347	419068.61	4327945.41	1350348	419066.57	4327942.32
1350349	419064.61	4327933.22	1350350	419058.07	4327922.57
1350351	419054.02	4327918.12	1350352	419046.16	4327913.60
1350353	419033.61	4327899.64	2360001	419097.11	4327941.95
2360002	419102.87	4327934.81	G22	419036.76	4327887.34
G23	419056.91	4327893.93	G24	419085.77	4327902.49
G25	419083.86	4327917.01	G26	419077.64	4327924.58
G27	419079.17	4327926.91	G28	419082.18	4327927.47
G29	419091.43	4327922.40			

İli : MALATYA
İlçesi : YEŞİLYURT
Köy/Mahalle : YAKINCA

RÖLEVE KROKİSİ

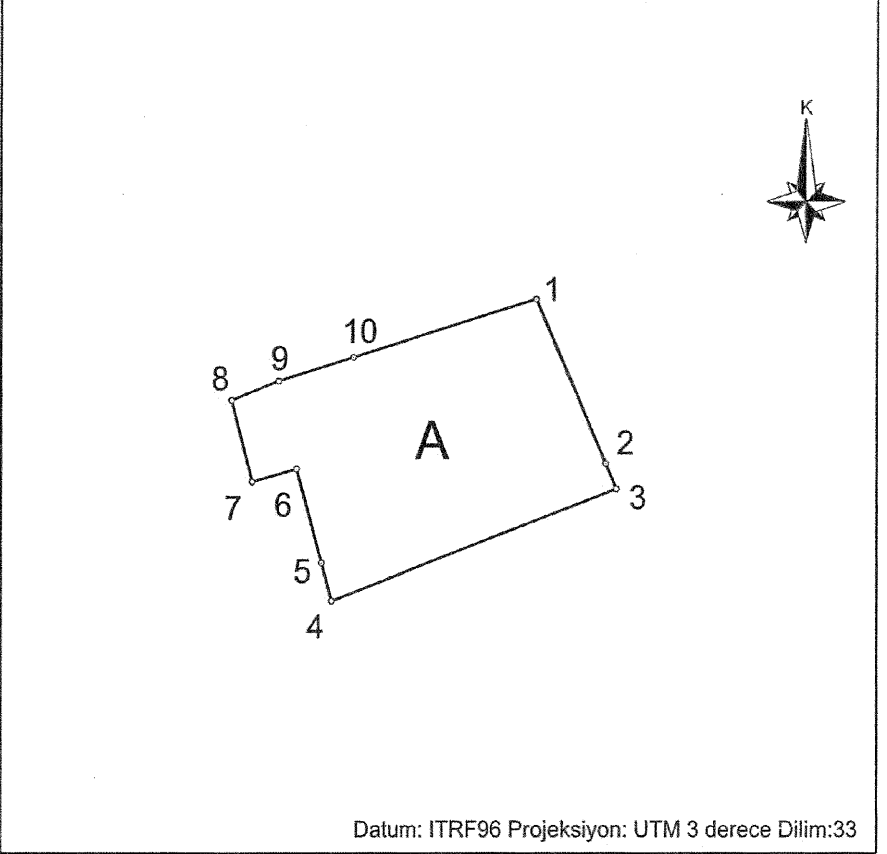


Ada	Parsel	Noktalar	HesapAlan
0	5017	6,21,19,20,7	24999.10
0	5018	3,21,6,5,4	27876.18

NoktaNo	Y	X	NoktaNo	Y	X
3	429898.28	4247587.30	4	429782.27	4247535.72
5	429819.67	4247428.69	6	429846.21	4247342.56
7	429890.04	4247220.32	19	430044.25	4247203.97
20	429897.76	4247176.67	21	429978.04	4247377.85

İli: Mersin
İlçesi: Erdemli
Köy/Mahalle: Aydınlar

RÖLEVE KROKİSİ



Ada	Parsel	Noktalar	Hesap Alan
218	A	1,2,3,4,5,6,7,8,9,10	269.56

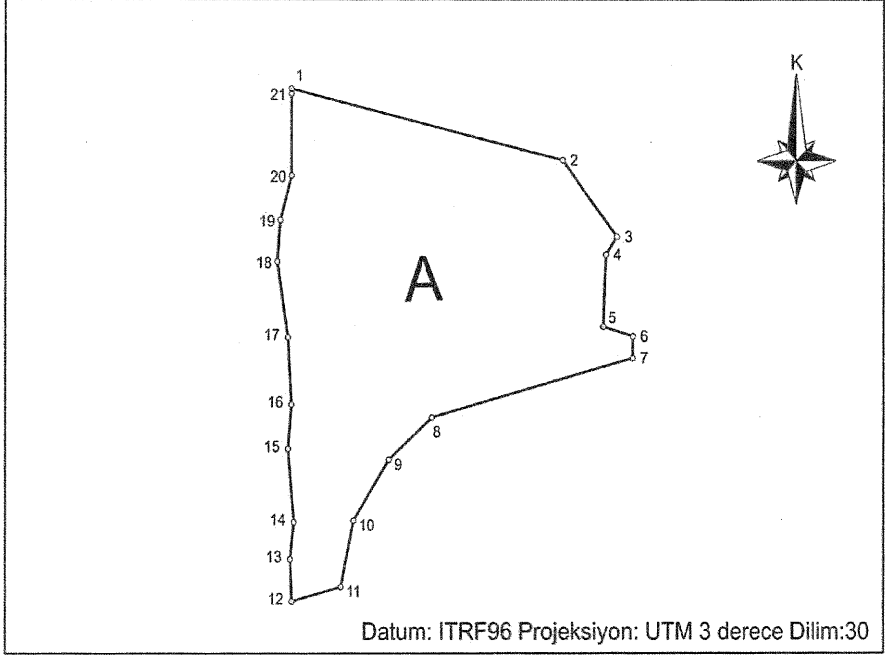
Nokta No	Y	X	Nokta No	Y	X
1	600068.03	4071892.83	2	600072.58	4071882.67
3	600073.28	4071881.12	4	600054.58	4071874.17
5	600053.92	4071876.52	6	600052.30	4071882.34
7	600049.40	4071881.53	8	600048.05	4071886.56
9	600051.11	4071887.75	10	600056.00	4071889.21

İli: MUĞLA

İlçesi: FETHİYE

Köy/Mahalle: PATLANGIÇ

RÖLEVE KROKİSİ

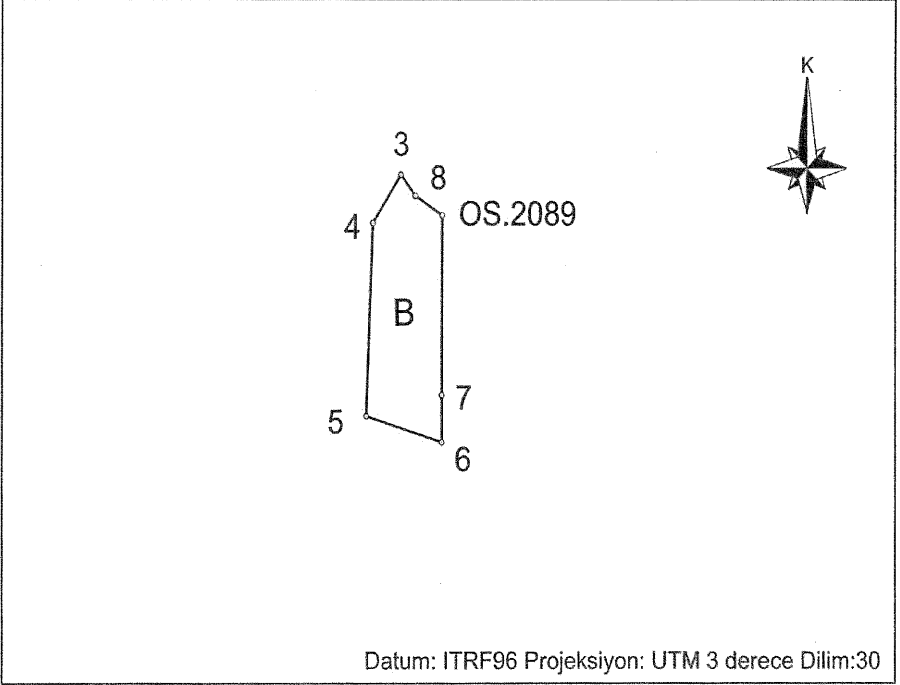


Ada	Parsel	Noktalar	HesapAlan
3515	A	1,2,3,4,5,6,7,8,9,10,11,12,13,14,15,16,17,18,19,20,21	17627.17

NoktaNo	Y	X	NoktaNo	Y	X
1	423125.26	4053730.94	2	423244.58	4053702.71
3	423268.31	4053672.57	4	423263.58	4053665.45
5	423262.48	4053636.96	6	423275.22	4053633.11
7	423275.21	4053624.49	8	423187.42	4053600.96
9	423168.51	4053584.28	10	423152.94	4053560.37
11	423147.38	4053534.23	12	423125.51	4053528.55
13	423124.75	4053545.18	14	423126.45	4053559.73
15	423123.81	4053588.58	16	423125.33	4053606.12
17	423123.77	4053632.76	18	423119.08	4053662.79
19	423120.37	4053679.16	20	423125.31	4053696.63
21	423125.27	4053729.04			

İli: MUĞLA
İlçesi: FETHİYE
Köy/Mahalle: PATLANGIÇ

RÖLEVE KROKİSİ

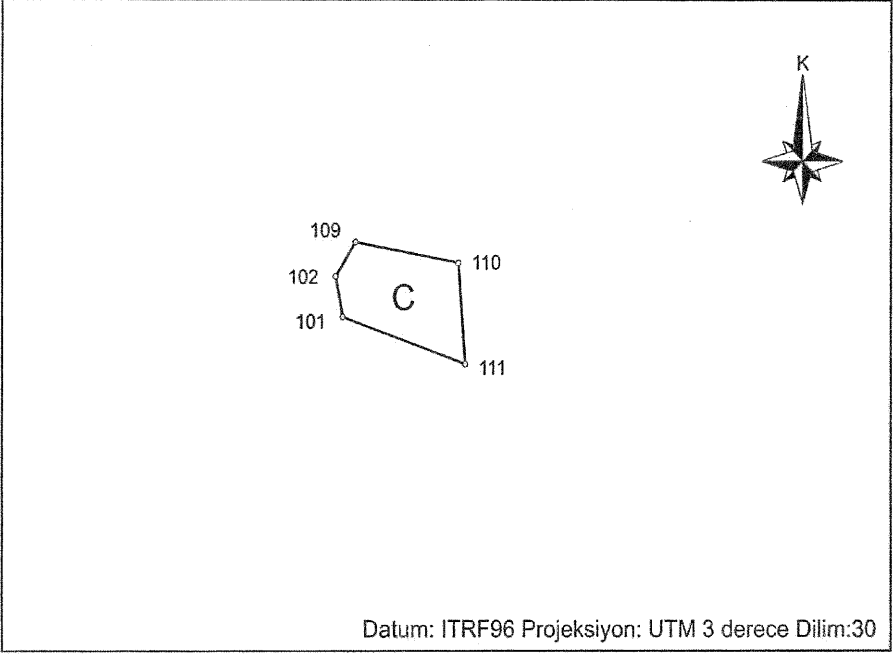


Ada	Parsel	Noktalar	HesapAlan
3515	B	3,8,OS.2089,7,6,5,4	414.50

NoktaNo	Y	X	NoktaNo	Y	X
3	423268.31	4053672.57	4	423263.58	4053665.45
5	423262.48	4053636.96	6	423275.22	4053633.11
7	423275.23	4053640.09	8	423270.75	4053669.46
OS.2089	423275.26	4053666.59			

İli: MUĞLA
İlçesi: FETHİYE
Köy/Mahalle: PATLANGIÇ

RÖLEVE KROKİSİ

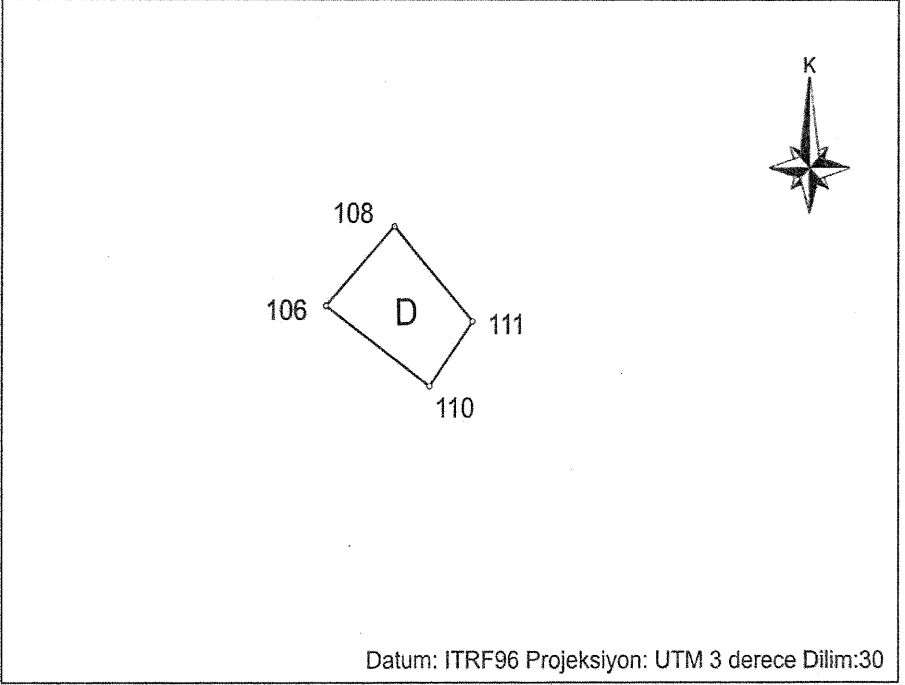


Ada	Parsel	Noktalar	HesapAlan
	C	101,102,109,110,111	275.53

NoktaNo	Y	X	NoktaNo	Y	X
101	424281.69	4053916.18	102	424280.51	4053922.43
109	424283.86	4053927.77	110	424301.21	4053924.53
111	424302.40	4053908.87			

İli: MUĞLA
İlçesi: FETHİYE
Köy/Mahalle: PATLANGIÇ

RÖLEVE KROKİSİ

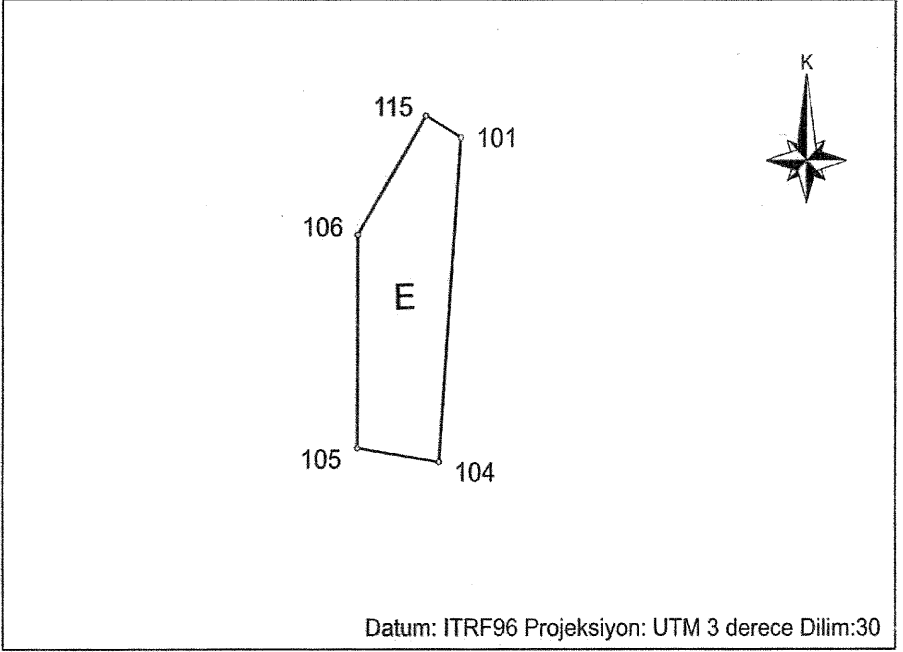


Ada	Parsel	Noktalar	HesapAlan
	D	106,108,111,110	285.86

NoktaNo	Y	X	NoktaNo	Y	X
106	424054.34	4054280.40	108	424065.95	4054292.10
110	424071.90	4054268.48	111	424079.12	4054278.10

İli: MUĞLA
İlçesi: FETHİYE
Köy/Mahalle: PATLANGIÇ

RÖLEVE KROKİSİ



Ada	Parsel	Noktalar	HesapAlan
	E	104,105,106,115,101	713.58

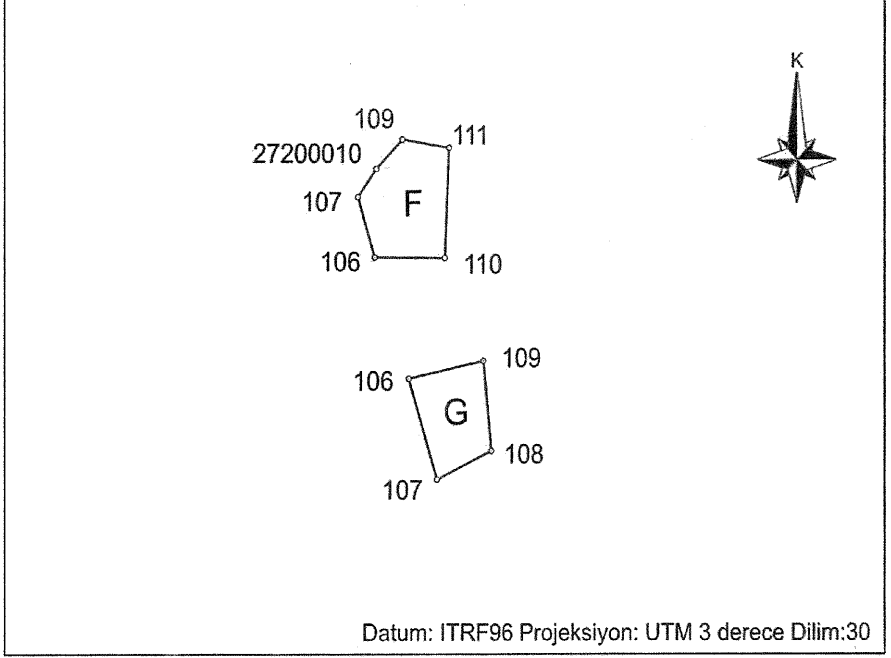
NoktaNo	Y	X	NoktaNo	Y	X
101	424036.26	4054498.52	104	424032.56	4054448.09
105	424018.78	4054450.26	106	424018.82	4054483.30
115	424030.35	4054501.86			

İli: MUĞLA

İlçesi: FETHİYE

Köy/Mahalle: PATLANGIÇ

RÖLEVE KROKİSİ

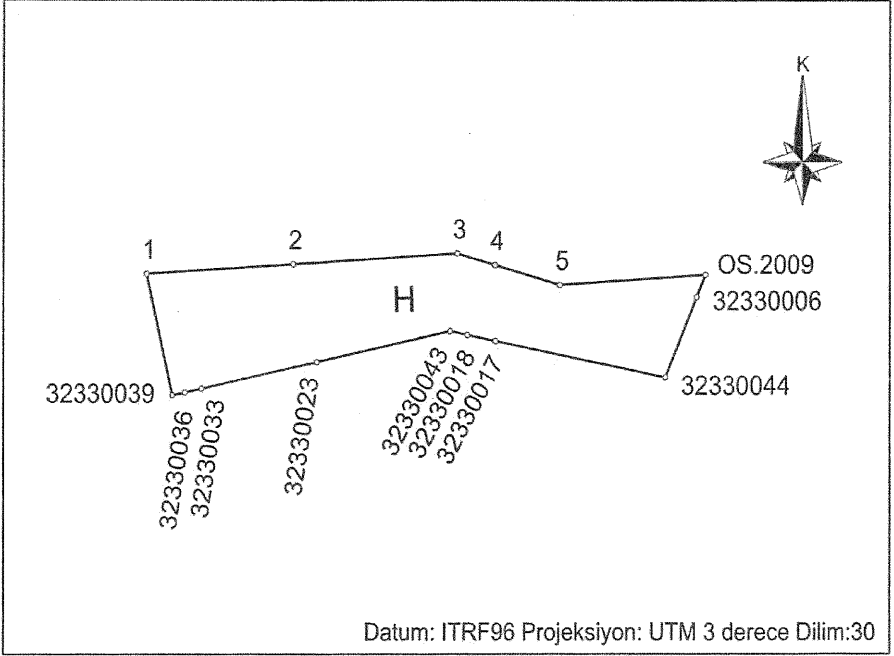


Ada	Parsel	Noktalar	HesapAlan
F		106,107,27200010,109,111,110	226.29
G		106,109,108,107	172.01

NoktaNo	Y	X	NoktaNo	Y	X
106	423941.07	4054964.56	106	423935.28	4054983.23
107	423932.41	4054992.48	107	423945.88	4054949.07
108	423955.13	4054953.47	109	423953.79	4054967.30
109	423940.00	4055001.34	110	423947.22	4054983.14
111	423947.95	4055000.05	27200010	423935.58	4054996.85

İli: MUĞLA
İlçesi: FETHİYE
Köy/Mahalle: PATLANGIÇ

RÖLEVE KROKİSİ

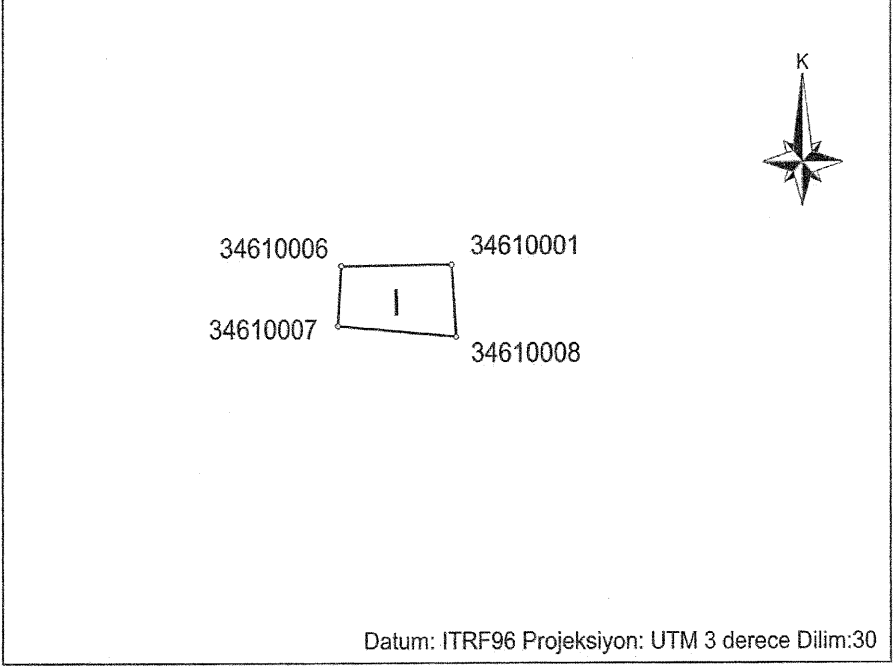


Ada	Parsel	Noktalar	HesapAlan
	H	2,3,4,5,OS.2009,32330006, 32330044,32330017,32330018, 32330043,32330023,32330033, 32330036,32330039,1	1270.49

NoktaNo	Y	X	NoktaNo	Y	X
1	424445.48	4055005.09	2	424470.42	4055006.58
3	424498.26	4055008.25	4	424504.70	4055006.47
5	424515.75	4055003.40	32330006	424539.02	4055001.53
32330017	424504.79	4054994.80	32330018	424500.01	4054995.74
32330023	424474.40	4054991.54	32330033	424454.88	4054987.43
32330036	424452.03	4054986.82	32330039	424449.89	4054986.37
32330043	424497.05	4054996.31	32330044	424533.69	4054989.17
OS.2009	424540.50	4055004.98			

İli: MUĞLA
İlçesi: FETHİYE
Köy/Mahalle: PATLANGIÇ

RÖLEVE KROKİSİ

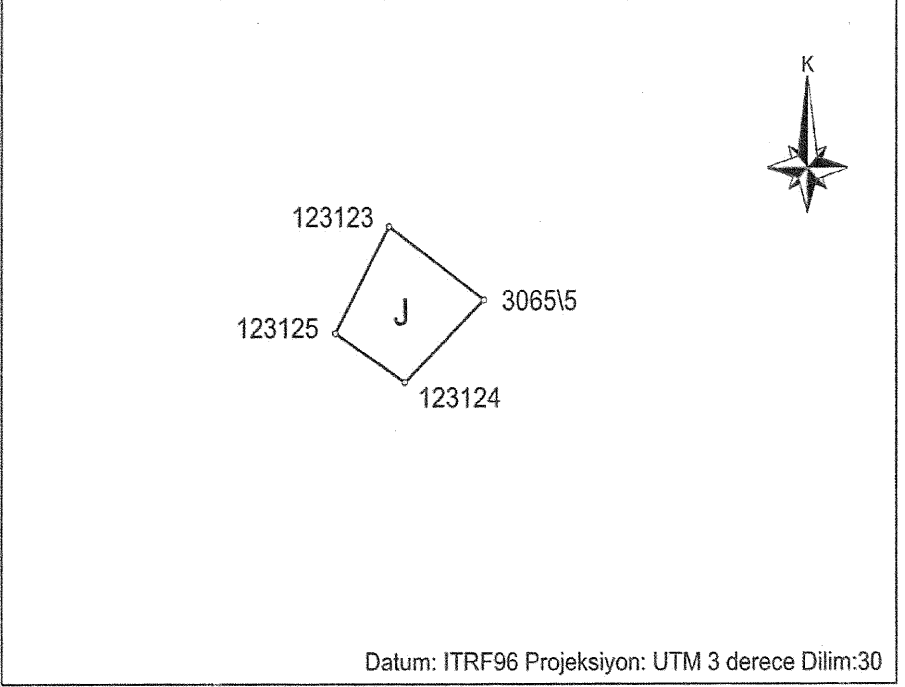


Ada	Parsel	Noktalar	HesapAlan
I		34610006,34610001,34610008, 34610007	193.68

NoktaNo	Y	X	NoktaNo	Y	X
34610001	425143.00	4055392.34	34610006	425124.28	4055392.12
34610007	425123.73	4055383.03	34610008	425143.78	4055381.44

İli: MUĞLA
İlçesi: FETHİYE
Köy/Mahalle: PATLANGIÇ

RÖLEVE KROKİSİ

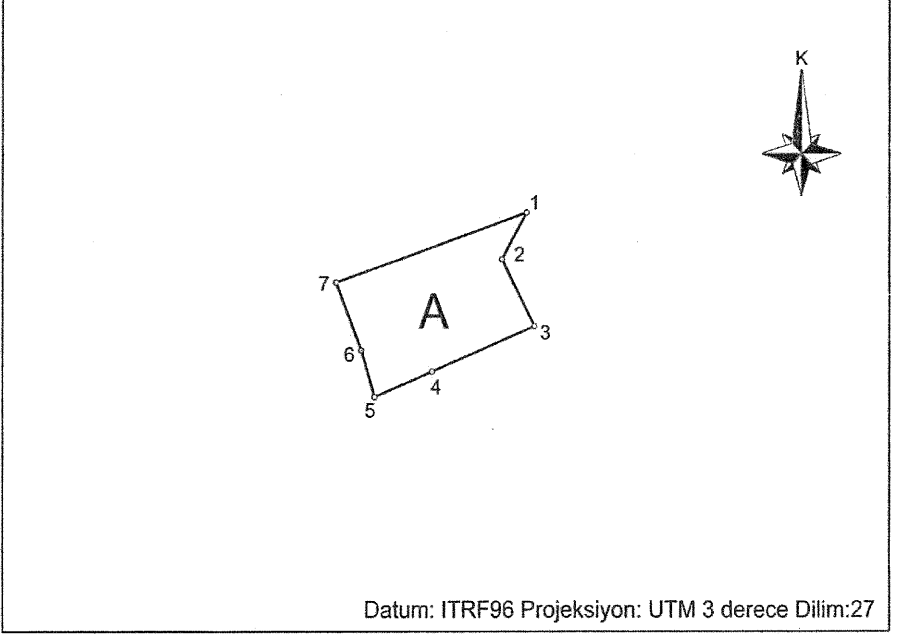


Ada	Parsel	Noktalar	HesapAlan
	J	123123,306515,123124,123125	292.57

NoktaNo	Y	X	NoktaNo	Y	X
123123	425371.78	4055160.29	123124	425374.47	4055137.41
123125	425362.72	4055144.59	306515	425387.71	4055149.56

İli: MUĞLA
İlçesi: MARMARİS
Köy/Mahalle: ÇAMLI

RÖLEVE KROKİSİ

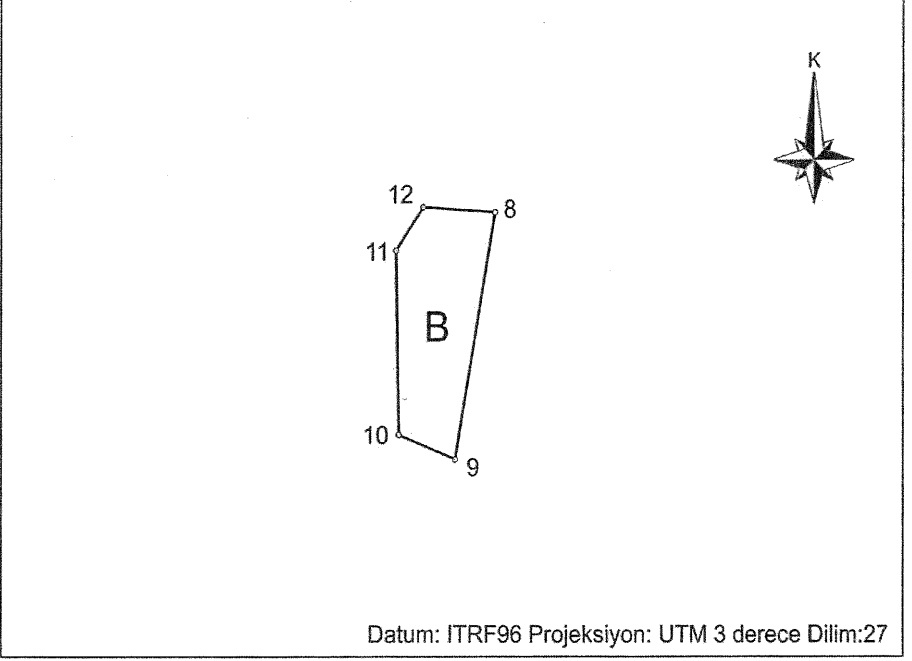


Ada	Parsel	Noktalar	HesapAlan
285	15-A	2,3,4,5,6,7,1	623.88

NoktaNo	Y	X	NoktaNo	Y	X
1	611458.40	4095524.12	2	611453.91	4095516.15
3	611459.86	4095504.71	4	611441.00	4095496.93
5	611430.43	4095492.58	6	611428.07	4095500.59
7	611423.52	4095512.19			

İli: MUĞLA
İlçesi: MARMARİS
Köy/Mahalle: ÇAMLI

RÖLEVE KROKİSİ

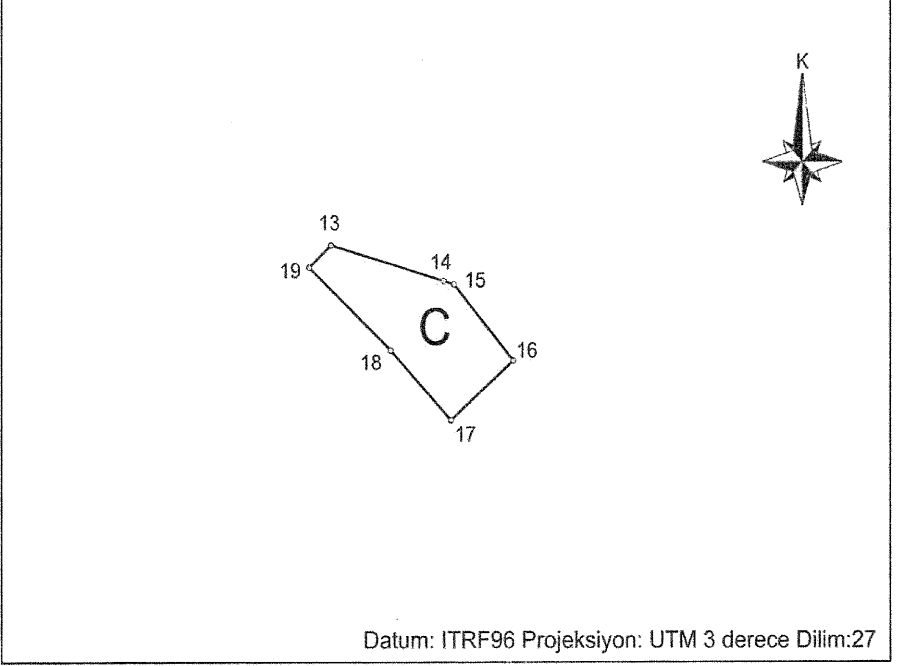


Ada	Parsel	Noktalar	HesapAlan
285	15-B	11,12,8,9,10	538.32

NoktaNo	Y	X	NoktaNo	Y	X
8	614065.21	4094288.17	9	614058.07	4094247.59
10	614047.94	4094251.61	11	614047.44	4094281.88
12	614052.30	4094288.99			

İli: MUĞLA
İlçesi: MARMARIS
Köy/Mahalle: ÇAMLI

RÖLEVE KROKİSİ

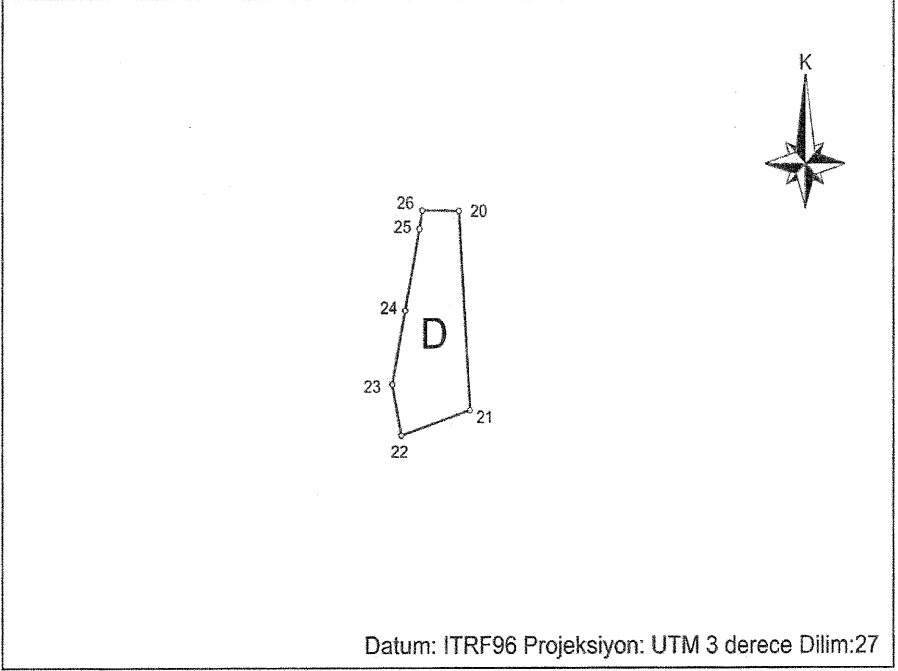


Ada	Parsel	Noktalar	HesapAlan
285	15-C	18,19,13,14,15,16,17	458.25

NoktaNo	Y	X	NoktaNo	Y	X
13	613835.55	4093264.29	14	613856.05	4093258.47
15	613857.92	4093257.93	16	613868.72	4093245.51
17	613857.38	4093235.80	18	613846.37	4093247.17
19	613831.63	4093260.64			

İli: MUĞLA
İlçesi: MARMARİS
Köy/Mahalle: ÇAMLI

RÖLEVE KROKİSİ

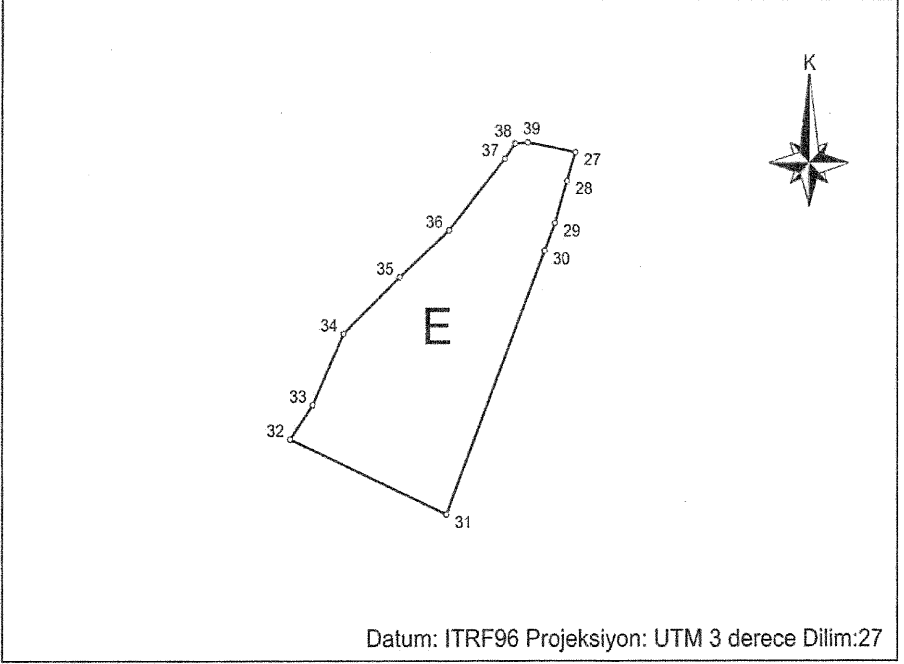


Ada	Parsel	Noktalar	HesapAlan
285	15-D	20,21,22,23,24,25,26	370.20

NoktaNo	Y	X	NoktaNo	Y	X
20	614076.43	4092939.47	21	614078.48	4092907.21
22	614066.03	4092903.09	23	614064.41	4092911.36
24	614066.73	4092923.32	25	614069.29	4092936.55
26	614069.78	4092939.53			

İli: MUĞLA
İlçesi: MARMARİS
Köy/Mahalle: ÇAMLI

RÖLEVE KROKİSİ

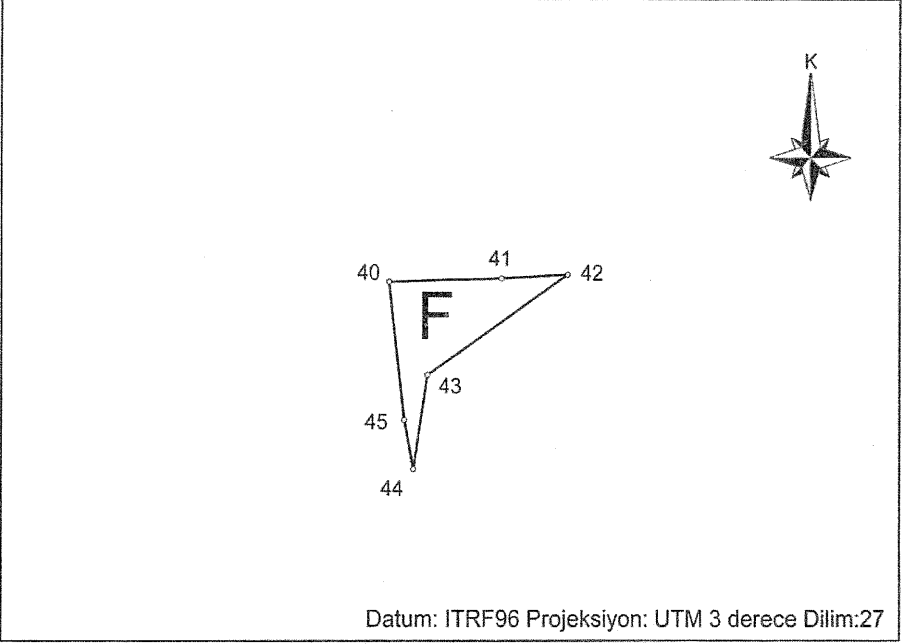


Ada	Parsel	Noktalar	HesapAlan
285	15-E	35,36,37,38,39,27,28,29,30,31, 32,33,34	1377.37

NoktaNo	Y	X	NoktaNo	Y	X
27	614066.47	4092858.03	28	614064.95	4092853.26
29	614062.74	4092846.33	30	614060.86	4092841.78
31	614043.15	4092798.75	32	614014.75	4092810.99
33	614018.84	4092816.59	34	614024.45	4092828.16
35	614034.73	4092837.45	36	614043.61	4092845.12
37	614053.69	4092856.90	38	614055.51	4092859.41
39	614057.81	4092859.60			

İli: MUĞLA
İlçesi: MARMARİS
Köy/Mahalle: ÇAMLI

RÖLEVE KROKİSİ

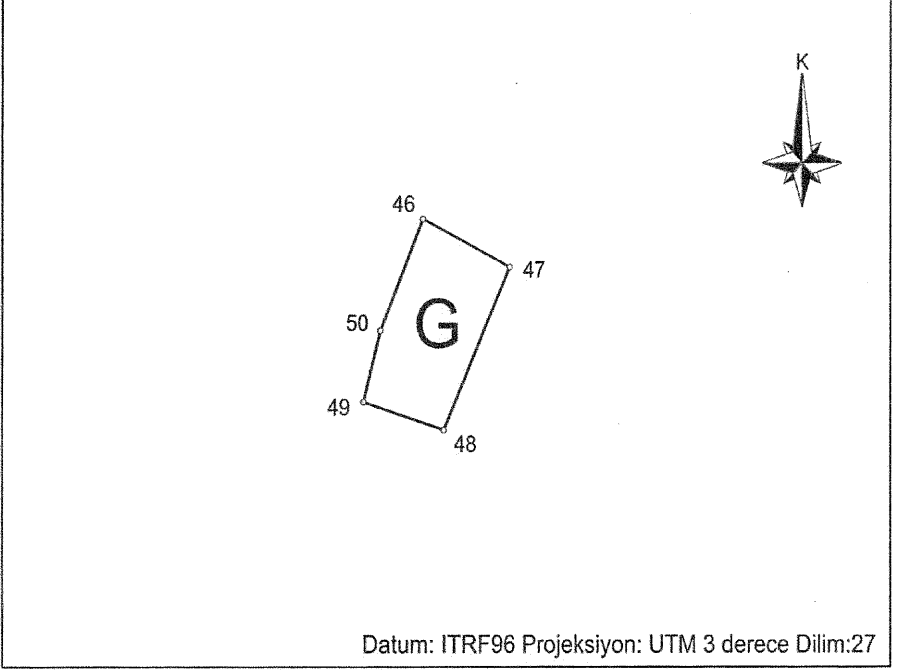


Ada	Parsel	Noktalar	HesapAlan
285	15-F	45,40,41,42,43,44	190.94

NoktaNo	Y	X	NoktaNo	Y	X
40	614133.61	4092520.15	41	614148.85	4092520.59
42	614157.81	4092521.06	43	614138.82	4092508.31
44	614136.92	4092496.32	45	614135.68	4092502.59

İli: MUĞLA
İlçesi: MARMARİS
Köy/Mahalle: ÇAMLI

RÖLEVE KROKİSİ

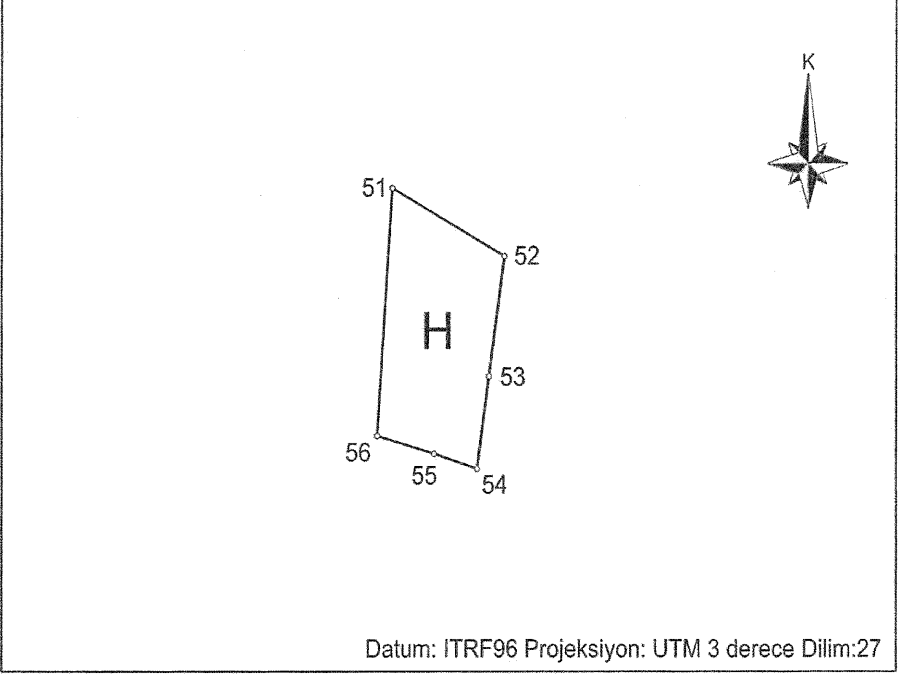


Ada	Parsel	Noktalar	HesapAlan
285	14-G	46,47,48,49,50	287.79

NoktaNo	Y	X	NoktaNo	Y	X
46	614092.29	4092385.04	47	614104.07	4092379.18
48	614095.12	4092359.33	49	614084.19	4092362.72
50	614086.53	4092371.38			

İli: MUĞLA
İlçesi: MARMARİS
Köy/Mahalle: ÇAMLI

RÖLEVE KROKİSİ

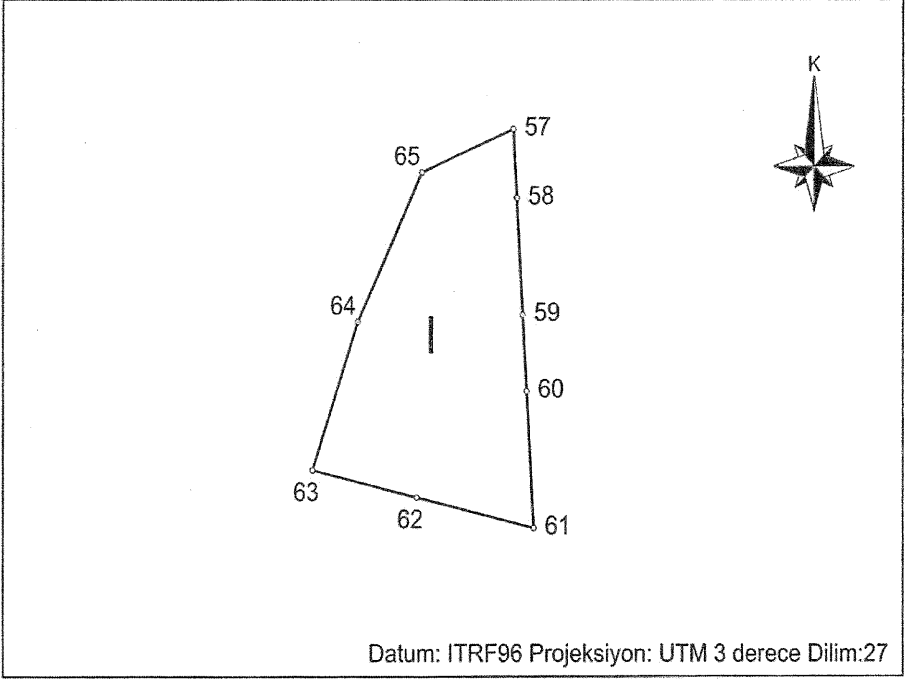


Ada	Parsel	Noktalar	HesapAlan
285	16-H	56,51,52,53,54,55	741.34

NoktaNo	Y	X	NoktaNo	Y	X
51	614163.72	4090748.54	52	614184.05	4090737.64
53	614181.31	4090718.37	54	614179.19	4090703.46
55	614171.39	4090705.90	56	614161.00	4090708.77

İli: MUĞLA
İlçesi: MARMARİS
Köy/Mahalle: ÇAMLI

RÖLEVE KROKİSİ



Ada	Parsel	Noktalar	HesapAlan
218	I	64,65,57,58,59,60,61,62,63	1612.12

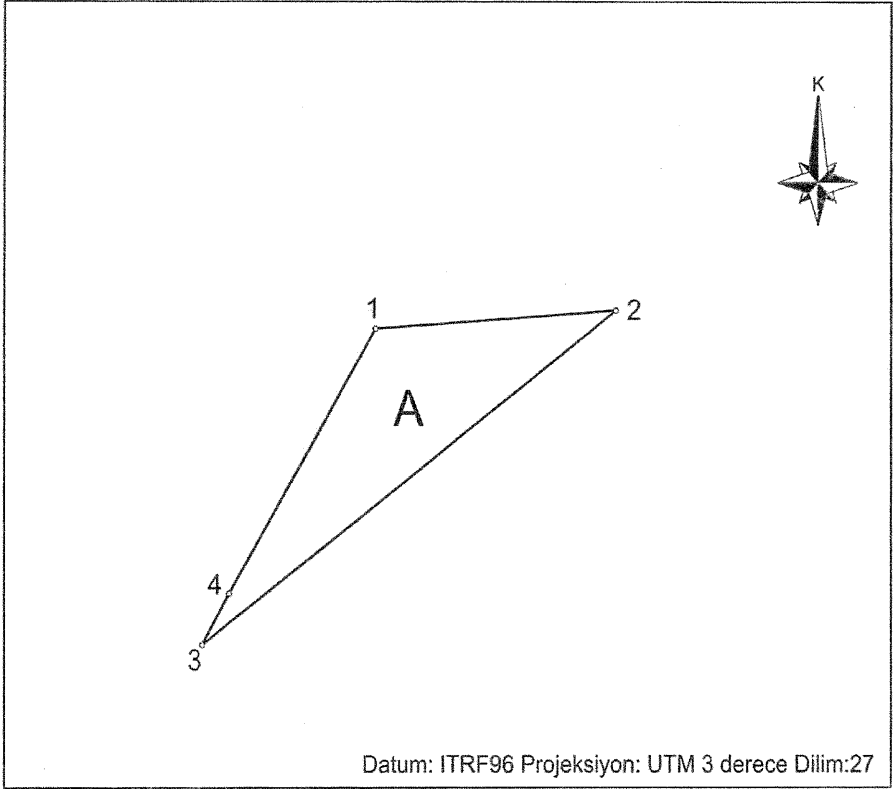
NoktaNo	Y	X	NoktaNo	Y	X
57	613183.53	4093956.57	58	613184.16	4093945.59
59	613185.23	4093926.95	60	613185.94	4093914.65
61	613187.20	4093892.79	62	613166.21	4093897.65
63	613147.47	4093901.99	64	613155.67	4093925.82
65	613167.12	4093949.67			

İli: MUĞLA

İlçesi: MARMARİS

Köy/Mahalle: ÇETİBELİ

RÖLEVE KROKİSİ

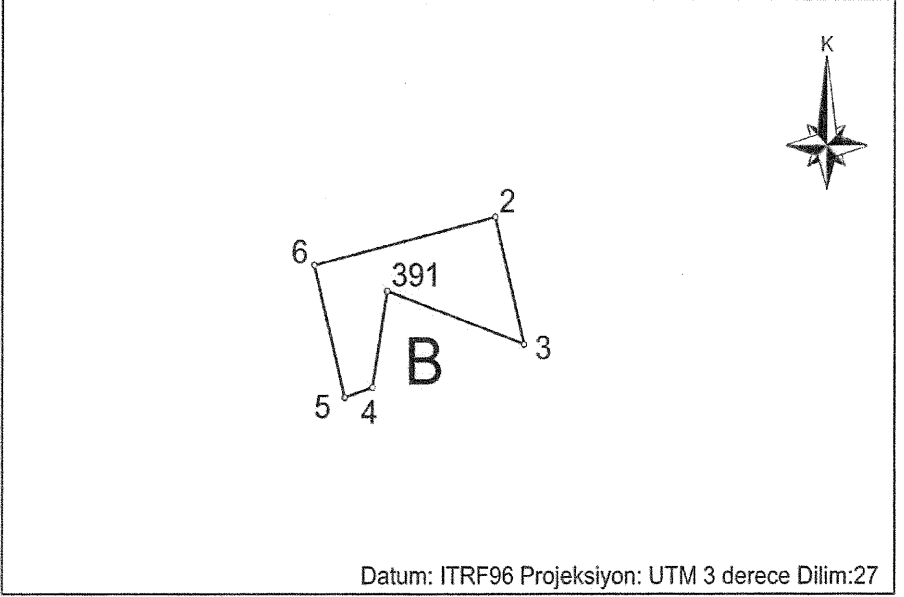


Ada	Parsel	Noktalar	HesapAlan
325	A	1,2,3,4	9590.45

NoktaNo	Y	X	NoktaNo	Y	X
1	616831.05	4097317.76	2	616960.01	4097326.49
3	616738.38	4097163.31	4	616753.02	4097188.50

İli: MUĞLA
İlçesi: MARMARİS
Köy/Mahalle: ÇETİBELİ

RÖLEVE KROKİSİ



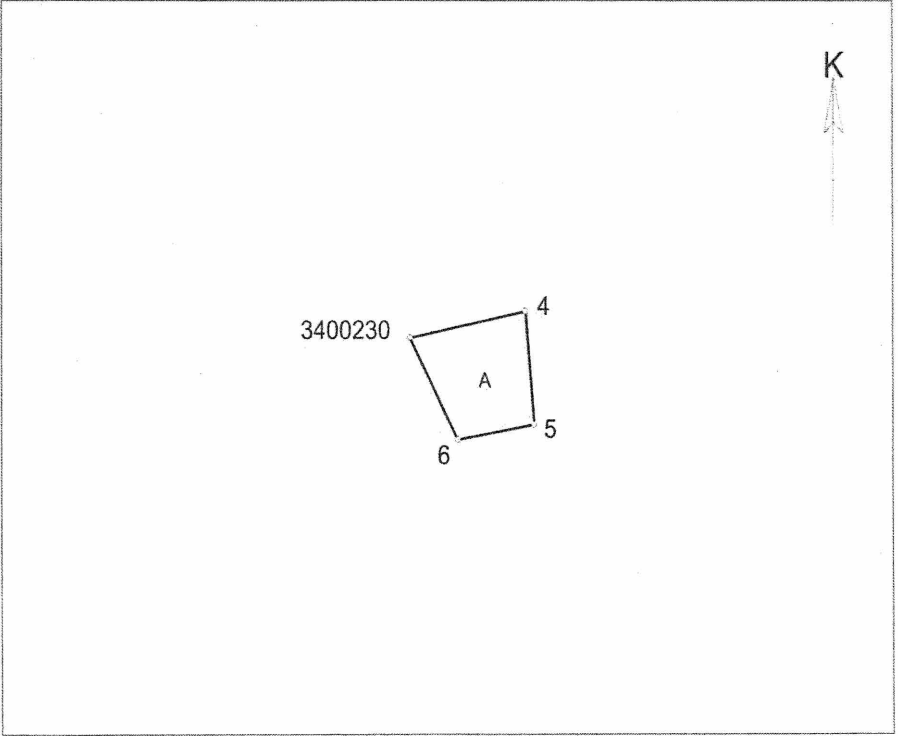
Ada	Parsel	Noktalar	HesapAlan
325	B	2,3,391,4,5,6	221.59

NoktaNo	Y	X	NoktaNo	Y	X
2	616341.64	4096913.15	3	616345.11	4096899.69
4	616327.11	4096895.13	5	616323.82	4096894.06
6	616320.28	4096908.03	391	616328.83	4096905.30

İli
İlçesi
Mahallesi

MUĞLA
MENTEŞE
SARNIÇ

RÖLEVE KROKİSİ



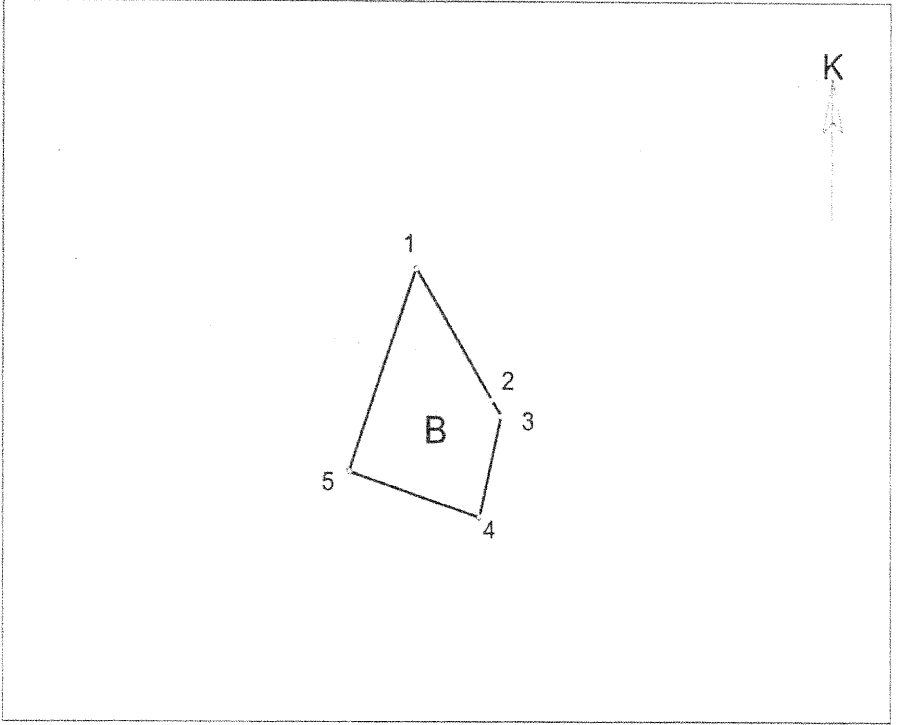
DATUM : ITRF-96 D.O.M. : 27 Projeksiyon : UTM 3 derece

Ada Parsel	Hesap Alan	Nokta No	Y	X
340/1-A	138.23	4	597612.35	4100152.81
		5	597613.40	4100140.74
		6	597604.34	4100139.14
		3400230	597598.61	4100150.02

İli
İlçesi
Mahallesi

MUĞLA
MENTEŞE
SARNIÇ

RÖLEVE KROKİSİ



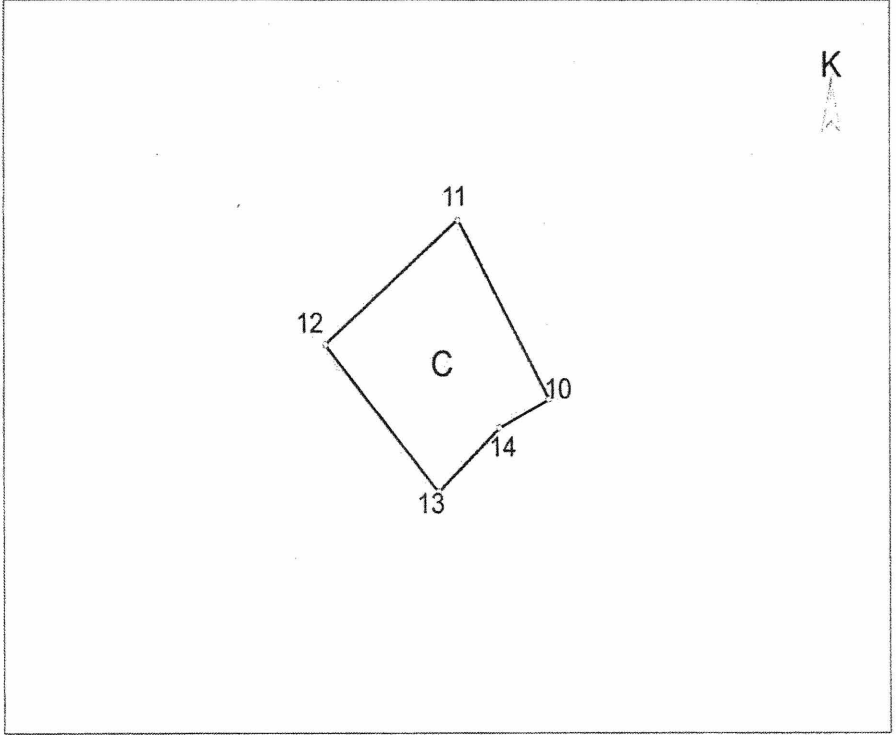
DATUM : ITRF-96 D.O.M. : 27 Projeksiyon : UTM 3 derece

Ada Parsel	Hesap Alan	Nokta No	Y	X
340/1-B	266.63	3	597522.83	4100392.11
		4	597520.23	4100381.20
		5	597504.64	4100386.12
		1	597512.67	4100408.05
		2	597521.72	4100393.81

İli
İlçesi
Mahallesi

MUĞLA
MENTEŞE
SARNIÇ

RÖLEVE KROKİSİ



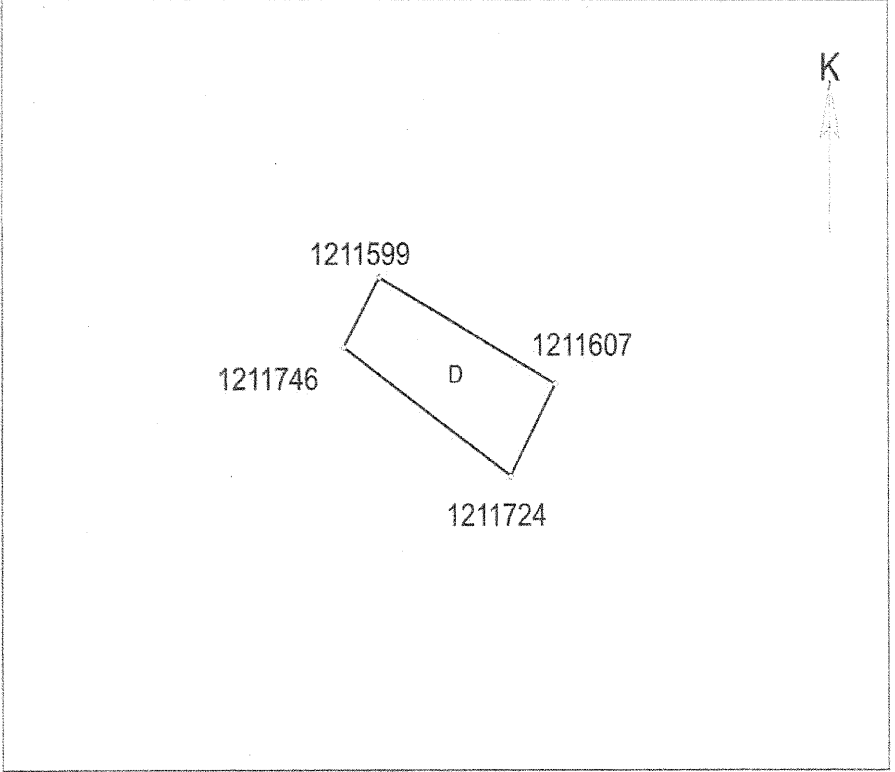
DATUM : ITRF-96 D.O.M. : 27 Projeksiyon : UTM 3 derece

Ada Parsel	Hesap Alan	Nokta No	Y	X
340/1-C	184.74	12	597495.59	4100262.25
		11	597506.57	4100271.43
		10	597514.20	4100258.26
		14	597510.04	4100256.15
		13	597504.97	4100251.45

İli
İlçesi
Mahallesi

MUĞLA
MENTEŞE
SARNIÇ

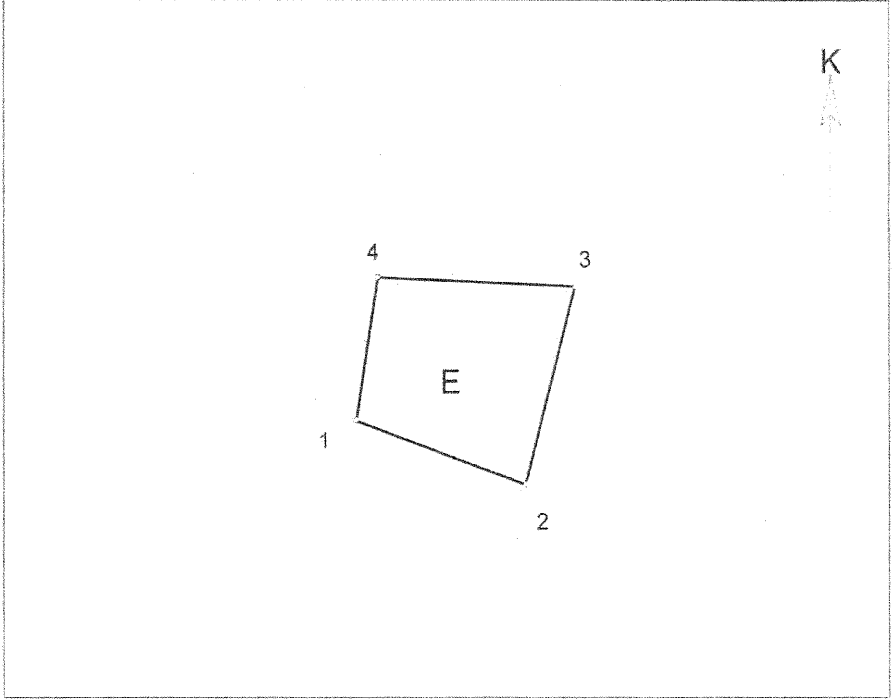
RÖLEVE KROKİSİ



DATUM : ITRF-96 D.O.M. : 27 Projeksiyon : UTM 3 derece

Ada Parsel	Hesap Alan	Nokta No	Y	X
340/1-D	62.86	1211724	597556.77	4101124.93
		1211746	597546.18	4101131.74
		1211599	597548.48	4101135.47
		1211607	597559.59	4101129.85

RÖLEVE KROKİSİ



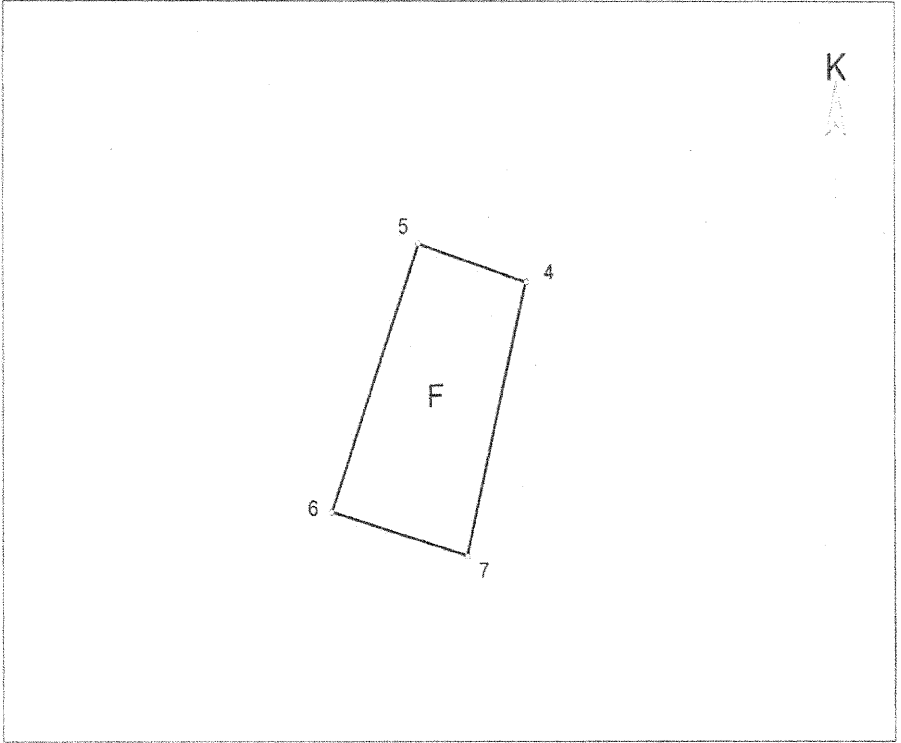
DATUM : ITRF-96 D.O.M. : 27 Projeksiyon : UTM 3 derece

Ada Parsel	Hesap Alan	Nokta No	Y	X
340/1-E	211.74	4	597285.62	4100355.96
		3	597302.14	4100355.28
		2	597298.02	4100339.89
		1	597283.82	4100344.87

İli
İlçesi
Mahallesi

MUĞLA
MENTEŞE
SARNIÇ

RÖLEVE KROKİSİ



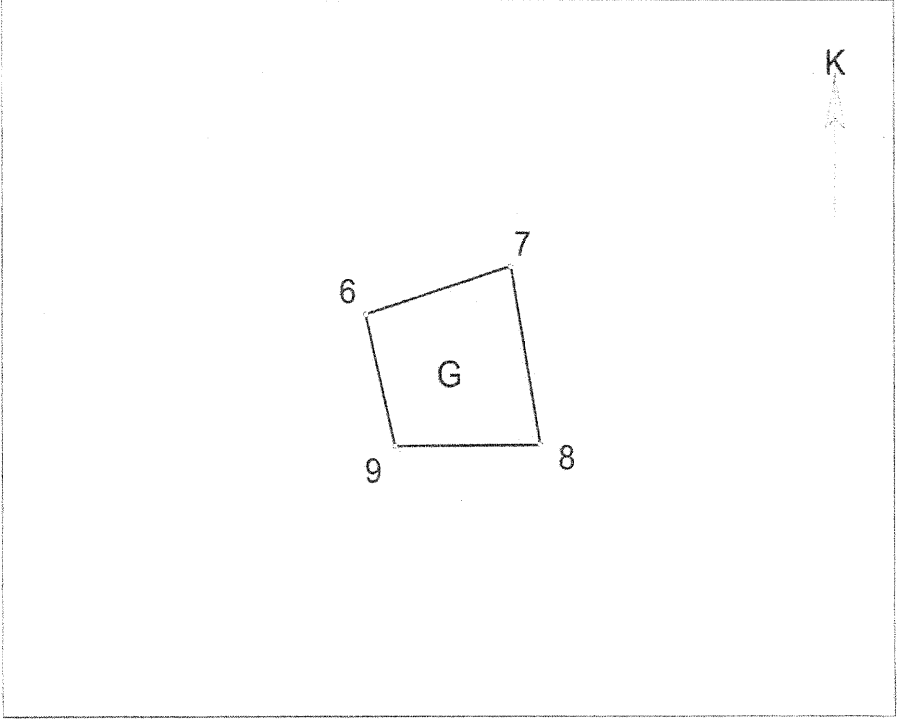
DATUM : ITRF-96 D.O.M. : 27 Projeksiyon : UTM 3 derece

Ada	Parsel	Hesap	Alan	Nokta	No	Y	X
340/1-F			670.69	6		597492.01	4100351.67
				5		597504.64	4100386.12
				4		597520.23	4100381.20
				7		597511.72	4100346.01

İli
İlçesi
Mahallesi

MUĞLA
MENTEŞE
SARNIÇ

RÖLEVE KROKİSİ



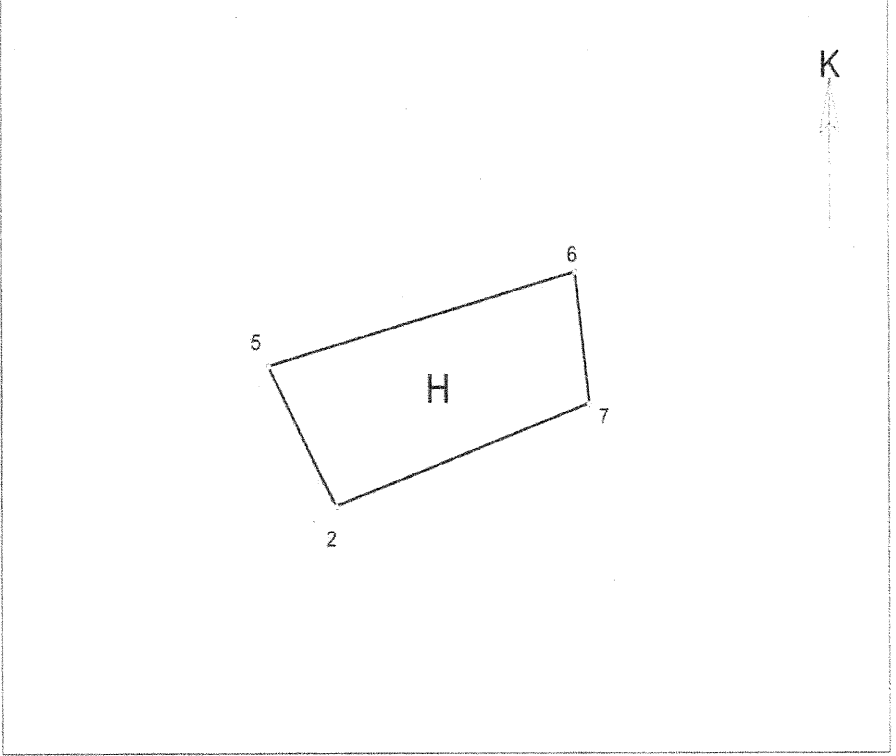
DATUM : ITRF-96 D.O.M. : 27 Projeksiyon : UTM 3 derece

Ada Parsel	Hesap Alan	Nokta No	Y	X
340/1-G	82.46	8	597195.30	4100816.66
		9	597186.20	4100816.59
		6	597184.38	4100824.04
		7	597193.48	4100826.77

İli
İlçesi
Mahallesi

MUĞLA
MENTEŞE
SARNIÇ

RÖLEVE KROKİSİ



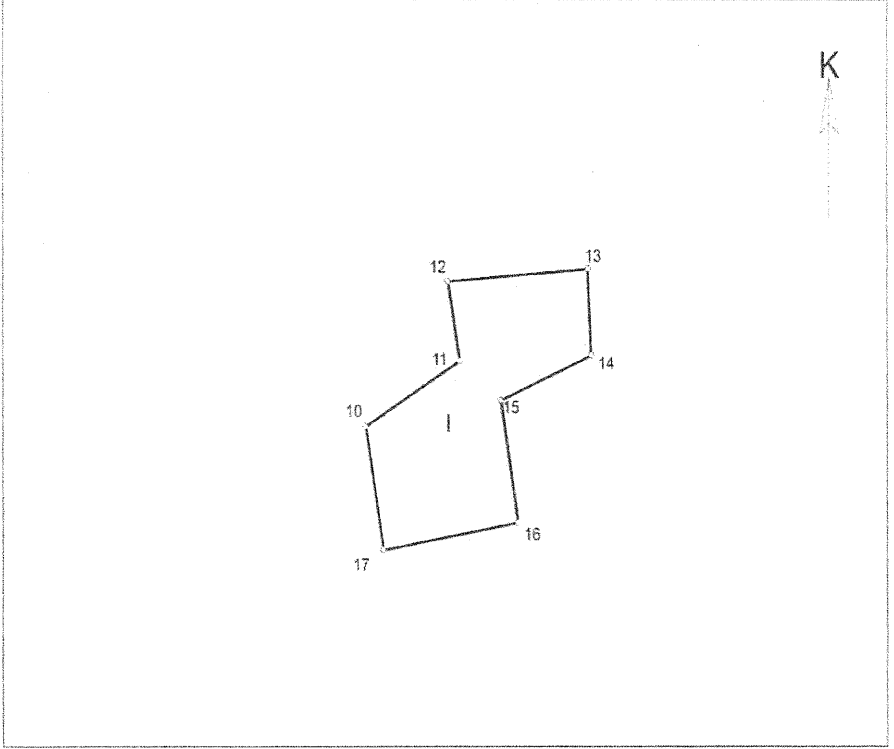
DATUM : ITRF-96 D.O.M. : 27 Projeksiyon : UTM 3 derece

Ada Parsel	Hesap Alan	Nokta No	Y	X
340/1-H	521.99	2	597371.80	4101278.48
		5	597363.58	4101292.96
		6	597400.44	4101302.66
		7	597402.17	4101289.09

İli
İlçesi
Mahallesi

MUĞLA
MENTEŞE
SARNIÇ

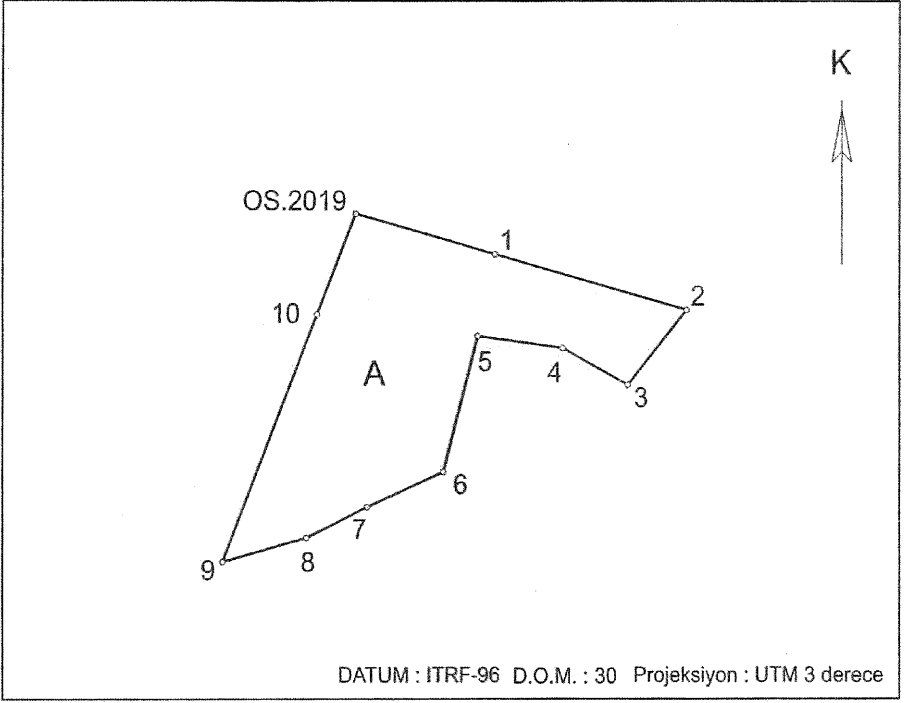
RÖLEVE KROKİSİ



DATUM : ITRF-96 D.O.M. : 27 Projeksiyon : UTM 3 derece

Ada Parsel	Hesap Alan	Nokta No	Y	X
338/1-I	505.49	10	598466.02	4101614.16
		11	598478.30	4101621.63
		12	598476.75	4101630.65
		13	598495.00	4101632.07
		14	598495.44	4101622.31
		15	598483.59	4101617.12
		16	598485.81	4101603.30
		17	598468.32	4101600.21

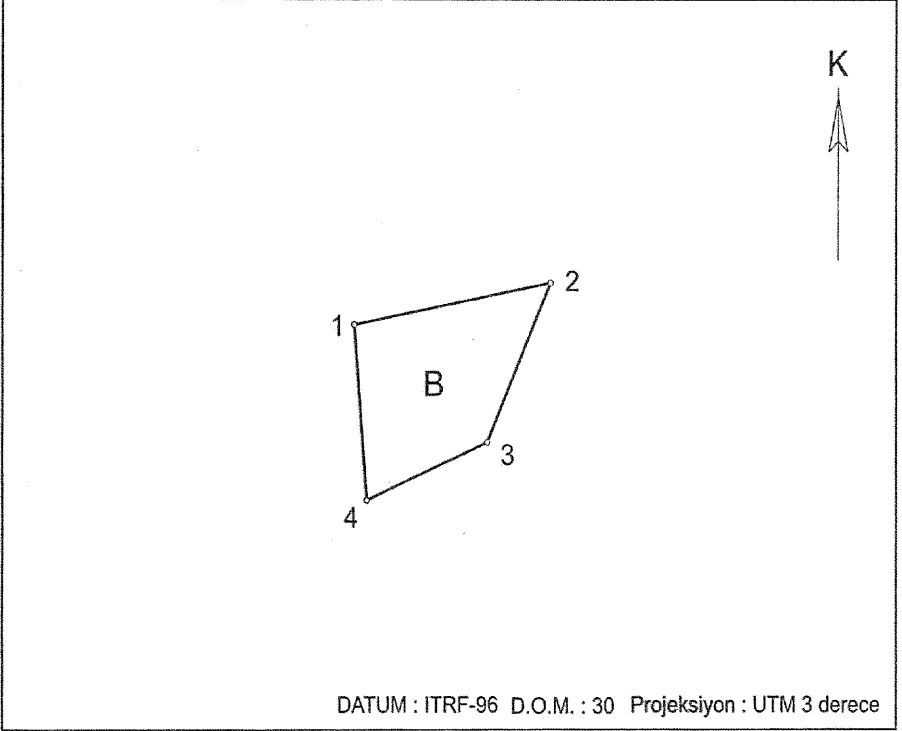
RÖLEVE KROKİSİ



Ada	Parsel	Noktalar	HesapAlan
A		5,6,7,8,9,10,OS.2019,1,2,3,4	851.01

NoktaNo	Y	X	NoktaNo	Y	X
1	441359.07	4055942.17	2	441381.79	4055935.94
3	441374.77	4055927.58	4	441367.09	4055931.69
5	441356.99	4055933.03	6	441352.84	4055917.86
7	441343.84	4055913.92	8	441336.68	4055910.48
9	441326.67	4055907.80	10	441337.89	4055935.43
OS.2019	441342.48	4055946.73			

RÖLEVE KROKİSİ



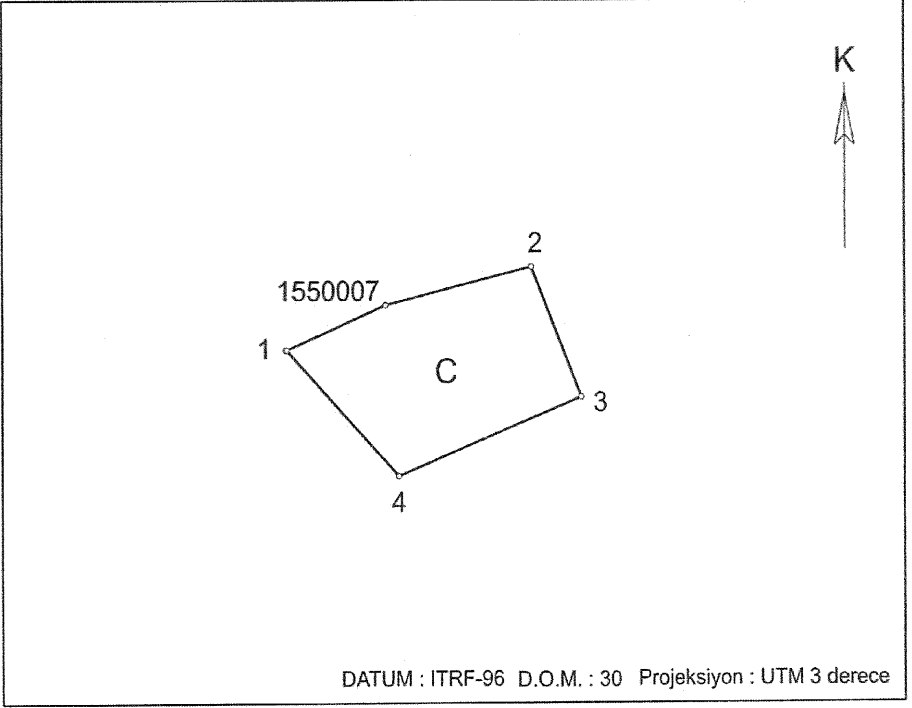
Ada	Parsel	Noktalar	HesapAlan
B		1,2,3,4	323.08

NoktaNo	Y	X	NoktaNo	Y	X
1	442670.77	4054077.59	2	442694.23	4054082.02
3	442686.68	4054065.00	4	442672.29	4054058.79

İli
İlçesi
Mahallesi

MUĞLA
SEYDİKEMER
UĞURLU

RÖLEVE KROKİSİ

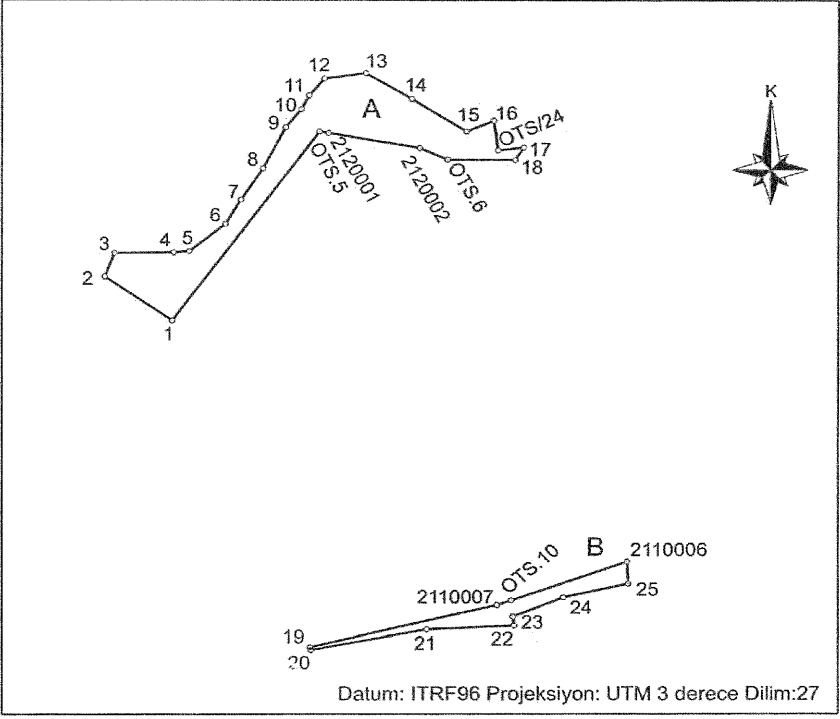


Ada	Parsel	Noktalar	HesapAlan
C		1,1550007,2,3,4	463.35

NoktaNo	Y	X	NoktaNo	Y	X
1	442855.21	4054141.92	2	442884.11	4054151.13
3	442890.00	4054136.67	4	442868.42	4054127.94
1550007	442866.88	4054146.94			

İli: MUĞLA
İlçesi: YATAĞAN
Köy/Mahalle: YUKARIYAYLA

RÖLEVE KROKİSİ



Ada	Parsel	Noktalar	HesapAlan
219	A	OTS.5,1,2,3,4,5,6,7,8,9,10,11,12,13,14,15,16,OTS/24,17,18,OTS.6,2120002,2120001	3304.98
219	B	22,21,20,19,2110007,OTS.10,2110006,25,24,23	746.35

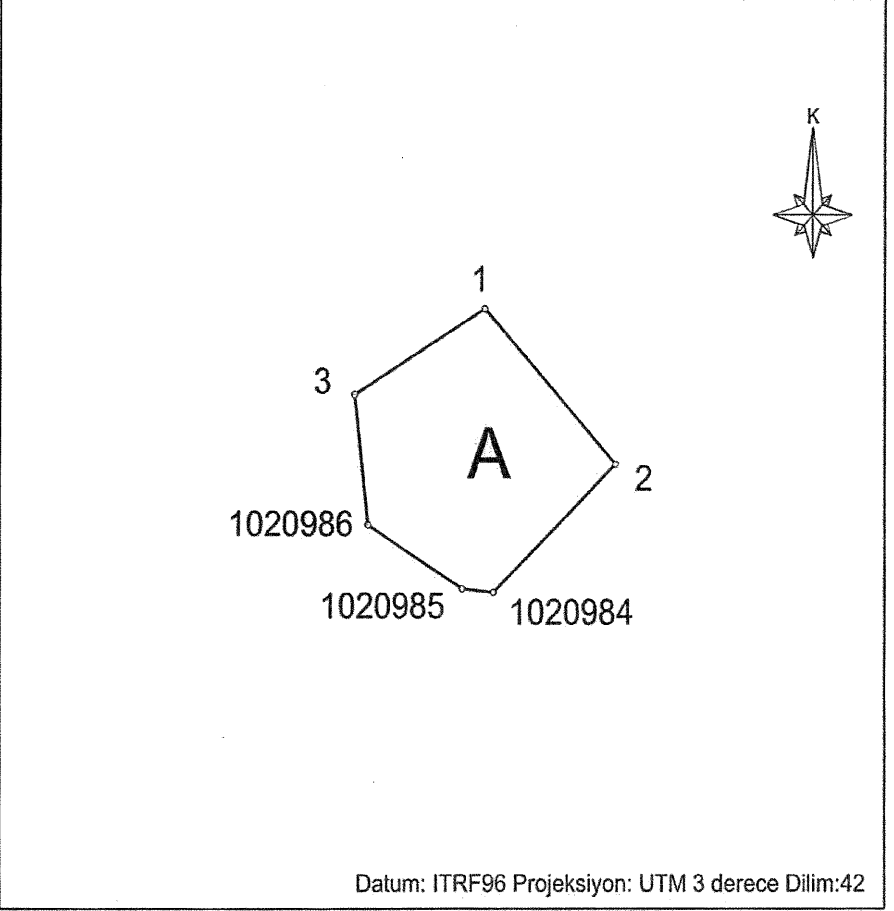
NoktaNo	Y	X	NoktaNo	Y	X
1	614151.41	4146566.90	2	614122.86	4146586.60
3	614127.03	4146597.21	4	614152.00	4146597.53
5	614158.49	4146598.02	6	614173.54	4146610.25
7	614179.93	4146621.10	8	614189.10	4146635.01
9	614198.46	4146653.20	10	614204.97	4146661.28
11	614208.14	4146667.36	12	614214.40	4146674.86
13	614231.45	4146677.23	14	614250.64	4146665.69
15	614273.14	4146651.31	16	614284.47	4146656.07
17	614296.60	4146644.22	18	614293.16	4146638.72
19	614208.48	4146421.06	20	614208.76	4146419.89
21	614256.83	4146428.87	22	614292.84	4146430.47
23	614292.42	4146434.48	24	614313.05	4146443.09
25	614340.22	4146449.15	2110006	614339.80	4146458.98
2110007	614285.84	4146439.64	2120001	614216.01	4146650.60
2120002	614253.84	4146644.07	OTS/24	614286.23	4146643.02
OTS.5	614212.30	4146651.24	OTS.6	614265.42	4146638.87
OTS.10	614291.67	4146441.73			

İli: Rize

İlçesi: Çayeli

Köy/Mahalle: Ormancık

RÖLEVE KROKİSİ



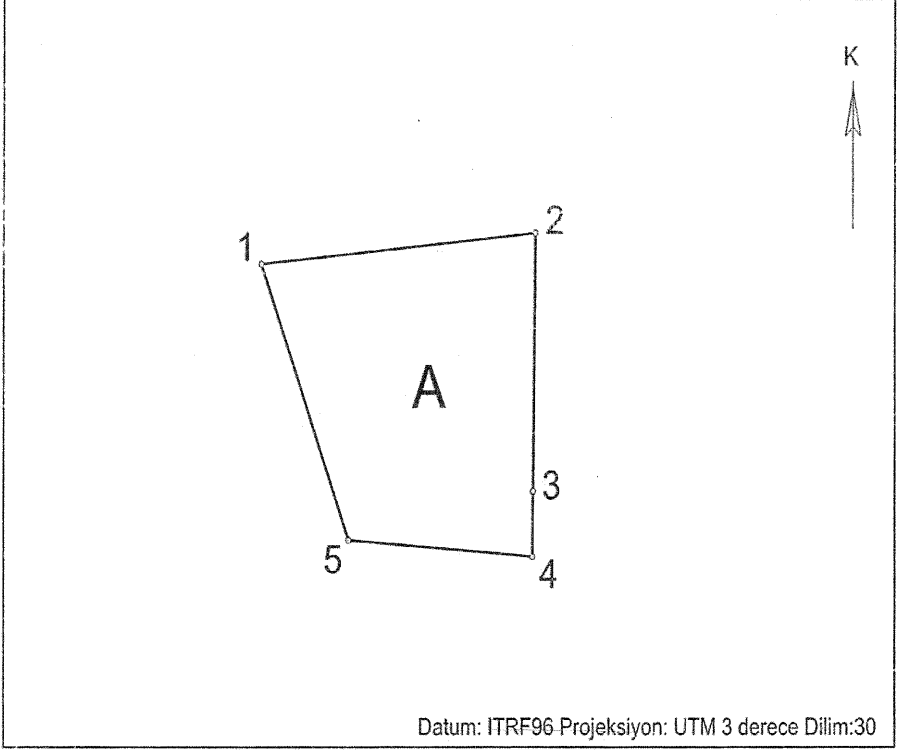
Ada Parsel	Hesap Alan	Nokta No	Y	X
A	170.71	1	397673.08	4535356.56
		2	397681.58	4535347.57
		1020984	397673.63	4535340.10
		1020985	397671.62	4535340.31
		1020986	397665.49	4535344.02
		3	397664.63	4535351.61

İli: Sakarya

İlçesi: Taraklı

Köy/Mahalle: Hacımurat

RÖLEVE KROKİSİ



Ada	Parsel	Noktalar	HesapAlan
157	1/A	5,1,2,3,4	399.75

NoktaNo	Y	X	NoktaNo	Y	X
1	542340.49	4473907.19	2	542363.34	4473909.37
3	542363.17	4473891.41	4	542363.13	4473886.89
5	542347.76	4473888.02			

NoktaNo	Y	X	NoktaNo	Y	X
OS.2037/2	446525.90	4560682.78	OS.101VA	446506.90	4560633.56
OS.102	446481.59	4560568.02	OS.102VA	446458.13	4560485.93
OS.101189	446426.49	4560680.00	1010055	446423.15	4560684.66
1010056	446413.17	4560698.58	OS.103188	446412.11	4560388.05
1010057	446409.91	4560703.13	OS.2723	446398.76	4560713.59
OS.2724	446395.89	4560680.50	1010066	446370.84	4560387.68
OS.2725	446362.59	4560679.32	OS.2726	446335.99	4560666.66
1010067	446334.04	4560389.69	1010069	446322.19	4560395.52
OS.2727	446319.24	4560654.05	OS.99	446312.13	4560638.64
1010073	446306.78	4560403.11	1010074	446291.04	4560416.35
1010077	446264.49	4560412.61	1010078	446258.63	4560411.14
OS.104	446254.22	4560403.14	1010080	446232.88	4560405.44
1010081	446229.16	4560640.30	OS.104	446218.69	4560404.89
1010084	446218.57	4560398.40	OS.2718	446182.04	4560641.25
1010088	446181.49	4560388.40	OS.2719	446176.43	4560635.14
OS.2720	446166.31	4560631.97	OS.105	446148.08	4560372.43
OS.2721	446136.44	4560630.33	1010098	446123.41	4560363.33
OS.105	446106.19	4560362.84	OS.2722	446091.89	4560636.71
OS.97	446076.87	4560680.09	OS.98	446075.52	4560643.38
1010103	446070.16	4560373.95	OS.96/1	446058.10	4560682.25
1010106	446042.03	4560365.00	OS.2714	446039.91	4560666.94
OS.95/1	446036.89	4560691.01	OS.2715	446035.02	4560658.58
1010111	446021.82	4560355.05	OS.2716	446019.76	4560659.72
OS.2713	446018.82	4560674.10	OS.96	446015.28	4560694.31
1010112	446014.25	4560353.82	1010116	445988.61	4560352.65
OS.93	445980.40	4560697.10	OS.2717	445969.80	4560660.13
OS.106	445955.91	4560353.45	OS.93/1	445952.80	4560691.06
1010130	445928.65	4560363.26	OS.2712	445919.30	4560370.97
1010132	445915.23	4560695.06	OS.2711	445904.11	4560399.36
1010136	445898.96	4560698.90	1010145	445887.74	4560709.53
OS.2710	445872.87	4560444.82	OS.2709	445870.91	4560412.88
1010153	445867.62	4560715.34	OS.2708	445861.36	4560417.34
OS.2707	445855.79	4560446.90	1010162	445853.12	4560726.74
OS.92	445832.73	4560729.11	OS.2706	445827.27	4560461.29
1010177	445819.95	4560724.82	OS.92/1	445813.45	4560727.55
OS.2705	445796.90	4560460.79	OS.91/1	445792.50	4560718.44
OS.91	445783.30	4560712.11	1010190	445782.10	4560698.49
OS.2704	445776.27	4560454.70	OS.90	445767.56	4560693.30
1010201	445751.33	4560693.51	1010202	445749.73	4560454.96
1010210	445730.71	4560459.72	1010211	445729.21	4560693.85
1010218	445713.67	4560694.99	1010219	445709.94	4560461.57
1010222	445702.90	4560700.24	1010224	445689.93	4560701.96
OS.2703	445682.23	4560459.73	1010228	445677.80	4560699.95
OS.2702	445656.41	4560457.93	1010242	445648.76	4560708.93
1010248	445627.46	4560713.93	OS.2701	445617.53	4560462.13
OS.2700	445582.83	4560480.73	1010267	445573.49	4560736.71
OS.2699	445569.97	4560458.90	OS.2698	445542.51	4560485.67
OS.89	445530.01	4560739.35	OS.2697	445523.87	4560482.34
OS.2495	445510.91	4560756.51	OS.2696	445503.78	4560477.23
OS.2695	445475.46	4560470.66	OS.2496	445463.59	4560759.83
OS.2694	445453.40	4560470.41	OS.2497	445437.63	4560761.17
1010328	445420.41	4560483.52	OS.2498	445402.83	4560766.11
OS.109	445378.96	4560491.99	OS.2499	445371.42	4560771.21
1010333	445349.19	4560495.55	OS.109	445255.86	4560506.69

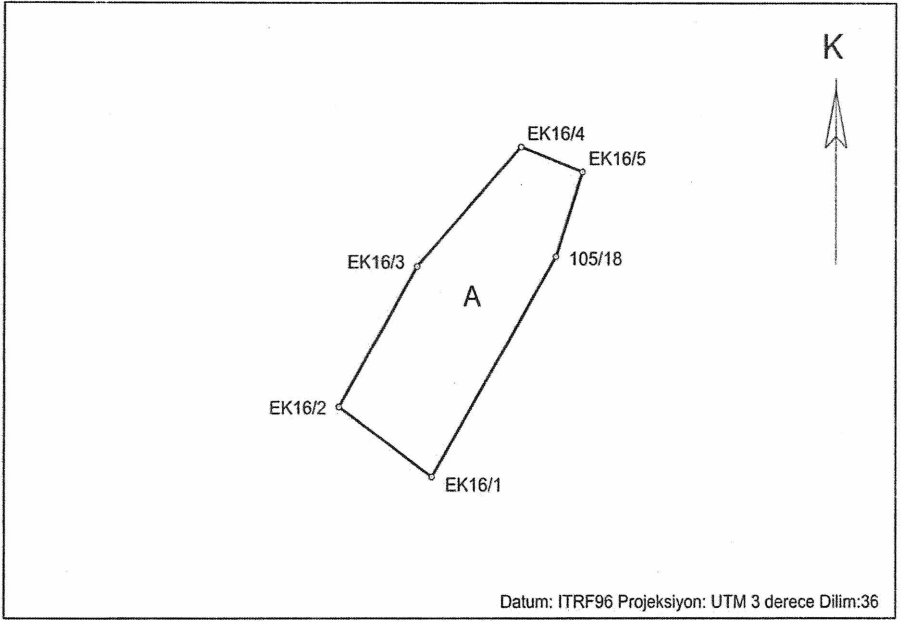
İli
İlçesi
Mahallesi

Samsun
Vezirköprü
İnkaya

Ada	Parsel	Noktalar	HesapAlan
101	1-A	OS.109,OS.2499,OS.2498, OS.2497,OS.2496,OS.2495,OS.89, 1010267,1010248,1010242, 1010228,1010224,1010222, 1010218,1010211,1010201,OS.90, 1010190,OS.91,OS.91/1,OS.92/1, 1010177,OS.92,1010162,1010153, 1010145,1010136,1010132, OS.93/1,OS.93,OS.2717,OS.2716, OS.2715,OS.2714,OS.2713,OS.96, OS.95/1,OS.96/1,OS.97,OS.98, OS.2722,OS.2721,OS.2720, OS.2719,OS.2718,1010081,OS.99, OS.2727,OS.2726,OS.2725, OS.2724,OS.2723,1010057, 1010056,1010055,OS.101/89, OS.2037/2,OS.101A,OS.102, OS.102A,OS.103/88,1010066, 1010067,1010069,1010073, 1010074,1010077,1010078, OS.104,1010080,1010084, 1010088,OS.105,1010098, 1010103,1010106,1010111, 1010112,1010116,OS.106, 1010130,OS.2712,OS.2711, OS.2710,OS.2709,OS.2708, OS.2707,OS.2706,OS.2705, OS.2704,1010202,1010210, 1010219,OS.2703,OS.2702, OS.2701,OS.2700,OS.2699, OS.2698,OS.2697,OS.2696, OS.2695,OS.2694,1010328, 1010333	316428.67

İli : SİNOP
İlçesi : BOYABAT
Mahallesi : GÖKÇEAĞAÇSAKIZI

RÖLEVE KROKİSİ

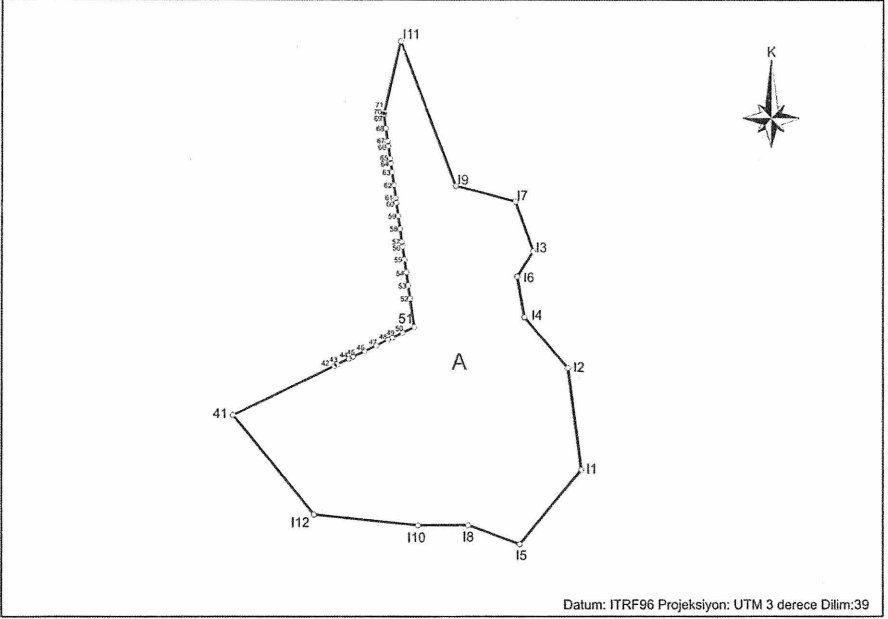


Ada	Parsel	Noktalar	HesapAlan
216	A	EK16/2,EK16/3,EK16/4,EK16/5, 105/18,EK16/1	201.43

NoktaNo	Y	X	NoktaNo	Y	X
105/18	383521.91	4611391.88	EK16/1	383512.06	4611375.77
EK16/2	383504.65	4611380.91	EK16/3	383510.87	4611391.14
EK16/4	383519.12	4611399.90	EK16/5	383523.97	4611398.06

İLİ : ŞANLIURFA
İLÇESİ : EYYÜBİYE
Köyü /Mahallesi : BATIKENT

RÖLEVE VE ÖLÇÜ KROKİSİ



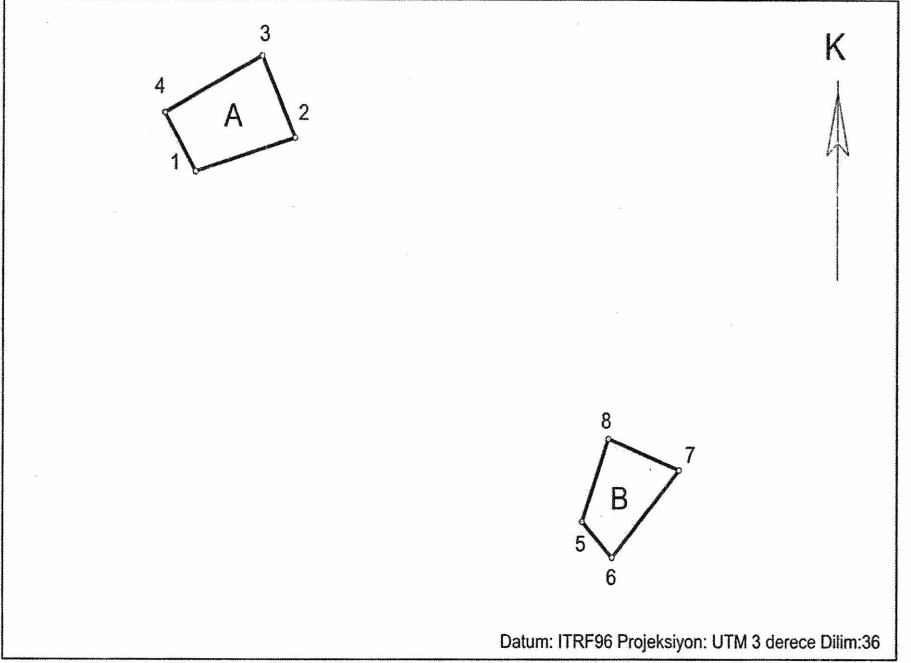
Datum: ITRF96 Projeksiyon: UTM 3 derece Dilim:39

Ada	Parsel	Noktalar	HesapAlan
0	611-A	111,19,17,13,16,14,12,11,15, 18,110,112,41,42,43,44,45,46, 47,48,49,50,51,52,53,54,55,56, 57,58,59,60,61,62,63,64,65,66, 67,68,69,70,71	179862.50

NoktaNo	Y	X	NoktaNo	Y	X
41	476763.48	4112710.83	42	476921.81	4112785.87
43	476926.69	4112788.18	44	476944.95	4112796.82
45	476951.34	4112799.84	46	476969.81	4112808.58
47	476988.28	4112817.32	48	477006.69	4112826.03
49	477013.60	4112829.29	50	477029.93	4112837.02
51	477048.17	4112845.65	52	477041.57	4112889.78
53	477038.58	4112909.73	54	477035.60	4112929.67
55	477032.61	4112949.62	56	477029.63	4112969.57
57	477028.58	4112976.55	58	477025.60	4112996.50
59	477022.61	4113016.45	60	477019.63	4113036.39
61	477018.58	4113043.38	62	477015.60	4113063.32
63	477012.61	4113083.27	64	477010.59	4113096.79
65	477009.63	4113103.22	66	477006.64	4113123.17
67	477005.60	4113130.15	68	477002.61	4113150.09
69	476999.63	4113170.03	70	476999.54	4113170.62
71	477000.28	4113173.74	11	477311.28	4112627.03
12	477289.96	4112782.87	13	477234.66	4112862.09
14	477220.75	4112860.67	15	477213.68	4112513.14
16	477209.16	4112923.26	17	477206.26	4113038.01
18	477132.73	4112542.35	19	477112.95	4113061.78
110	477054.28	4112542.35	111	477026.37	4112823.27
112	476890.07	4112558.84			

İli : TOKAT
İlçesi : TURHAL
Mahallesi : HASANLI

RÖLEVE KROKİSİ

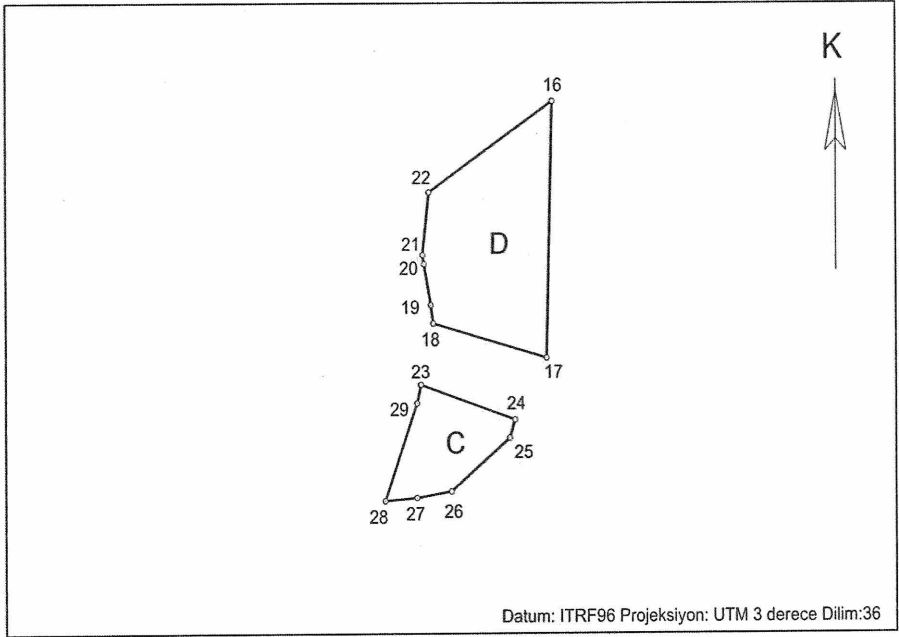


Ada	Parsel	Noktalar	HesapAlan
106	A	4,3,2,1	661.60
106	B	8,7,6,5	467.85

NoktaNo	Y	X	NoktaNo	Y	X
7	498092.93	4484124.37	6	498072.43	4484101.47
8	498071.31	4484132.57	5	498063.33	4484110.93
2	497975.54	4484211.05	3	497965.64	4484232.44
1	497945.49	4484202.27	4	497936.04	4484217.57

İli : TOKAT
İlçesi : TURHAL
Mahallesi : HASANLI

RÖLEVE KROKİSİ

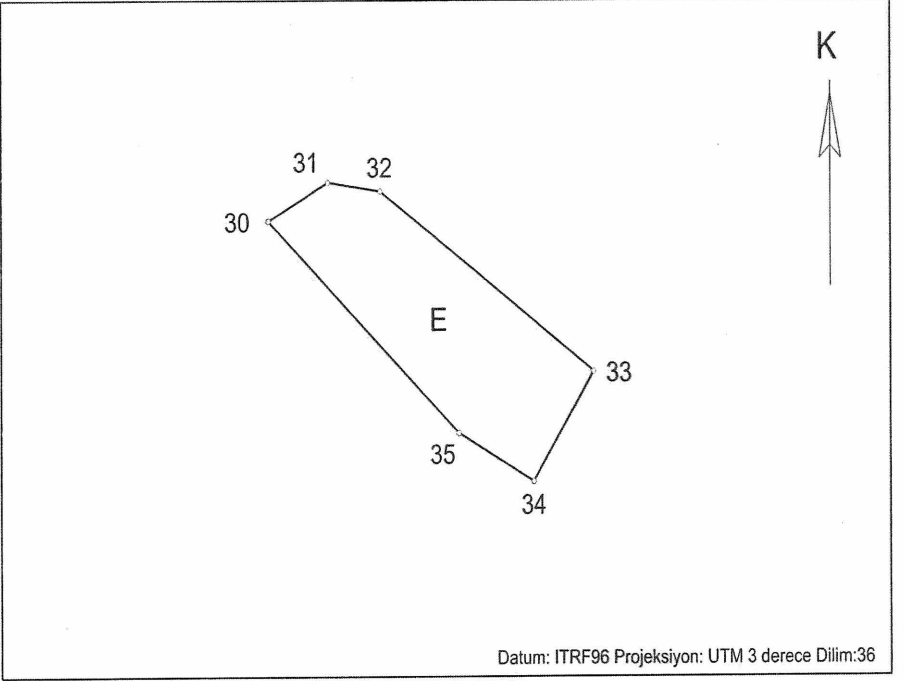


Ada	Parsel	Noktalar	HesapAlan
106	D	16,17,18,19,20,21,22	579.47
106	C	25,26,27,28,29,23,24	209.65

NoktaNo	Y	X	NoktaNo	Y	X
16	498582.71	4484119.57	17	498581.72	4484081.46
18	498562.88	4484086.59	19	498562.49	4484089.33
20	498561.37	4484095.44	21	498561.14	4484096.79
22	498562.19	4484106.10	23	498560.82	4484077.50
24	498576.46	4484072.30	25	498575.61	4484069.60
26	498565.88	4484061.67	27	498560.14	4484060.72
28	498554.85	4484060.27	29	498560.20	4484074.76

İli : TOKAT
İlçesi : TURHAL
Mahallesi : HASANLI

RÖLEVE KROKİSİ

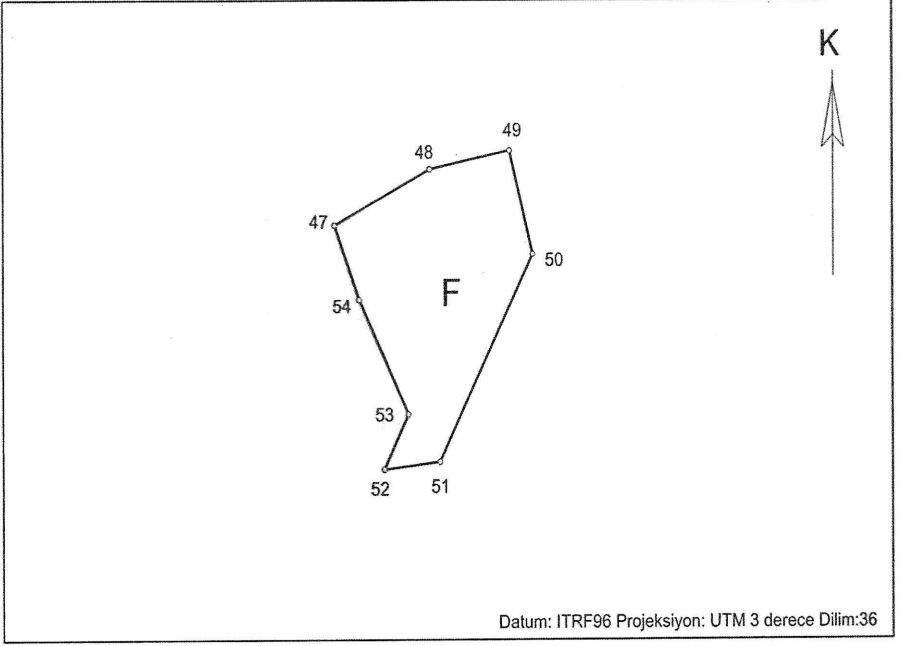


Ada	Parsel	Noktalar	HesapAlan
106	E	30,31,32,33,34,35	1517.54

NoktaNo	Y	X	NoktaNo	Y	X
33	497795.72	4483631.88	34	497782.85	4483612.40
35	497766.92	4483620.99	32	497750.32	4483663.76
31	497739.17	4483665.35	30	497726.51	4483658.51

İli : TOKAT
İlçesi : TURHAL
Mahallesi : HASANLI

RÖLEVE KROKİSİ

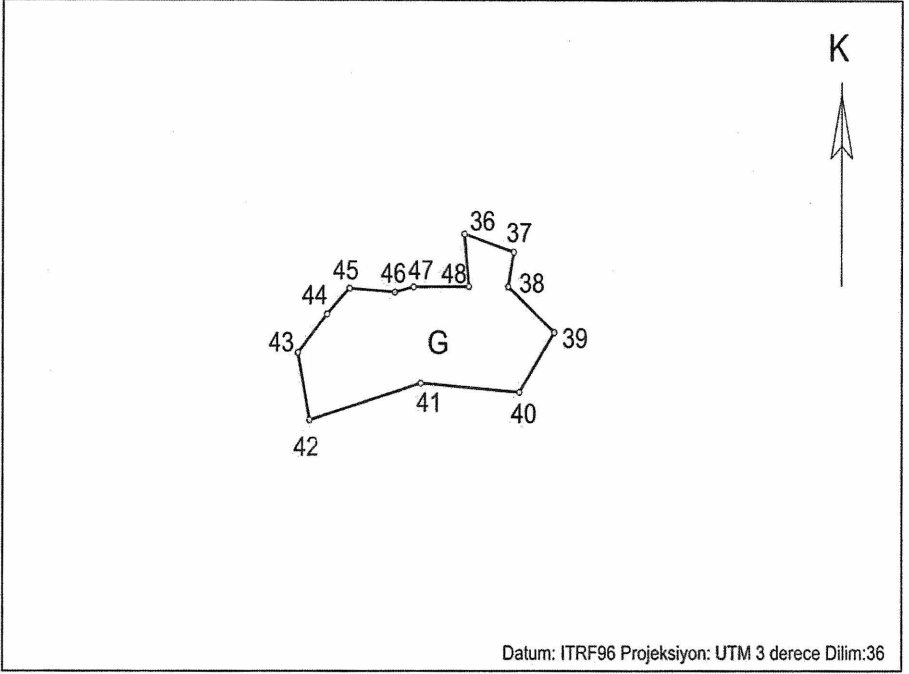


Ada	Parsel	Noktalar	HesapAlan
101	F	53,54,47,48,49,50,51,52	2000.27

NoktaNo	Y	X	NoktaNo	Y	X
47	498087.29	4482189.23	48	498111.06	4482201.45
49	498131.09	4482205.48	50	498136.89	4482182.77
51	498113.57	4482137.12	52	498099.54	4482135.46
53	498105.60	4482147.57	54	498093.36	4482172.85

İli : TOKAT
İlçesi : TURHAL
Mahallesi : HASANLI

RÖLEVE KROKİSİ

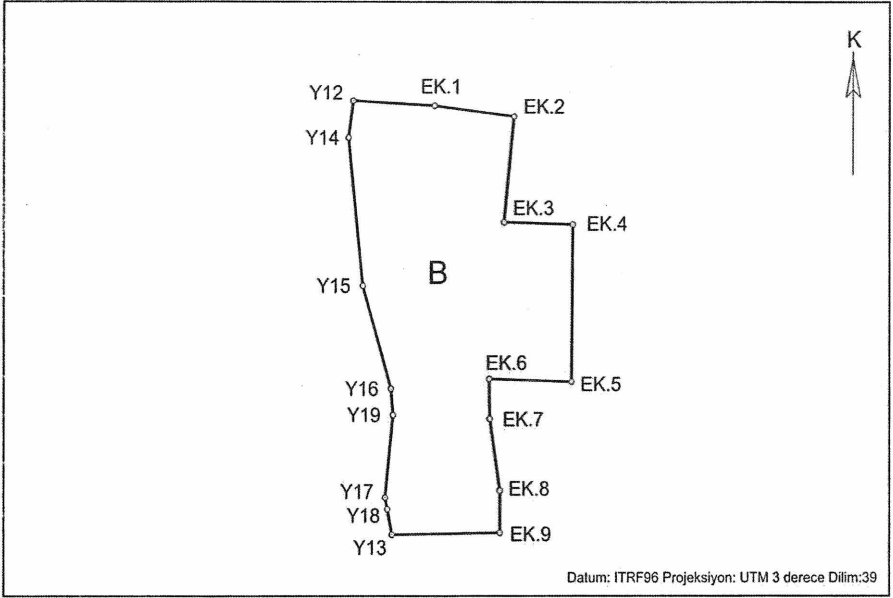


Ada	Parsel	Noktalar	HesapAlan
101	G	42,43,44,45,46,47,48,36,37,38, 39,40,41	1993.18

NoktaNo	Y	X	NoktaNo	Y	X
39	499727.07	4482548.83	40	499716.49	4482533.52
37	499714.77	4482569.52	38	499713.08	4482560.60
48	499701.05	4482560.68	36	499699.76	4482574.18
41	499686.48	4482535.85	47	499684.34	4482560.59
46	499678.60	4482559.22	45	499664.87	4482560.21
44	499658.02	4482553.54	42	499652.69	4482526.38
43	499649.12	4482543.66			

İli: Trabzon
İlçesi: Akçaabat
Köy/Mahalle: Kirazlık Mah

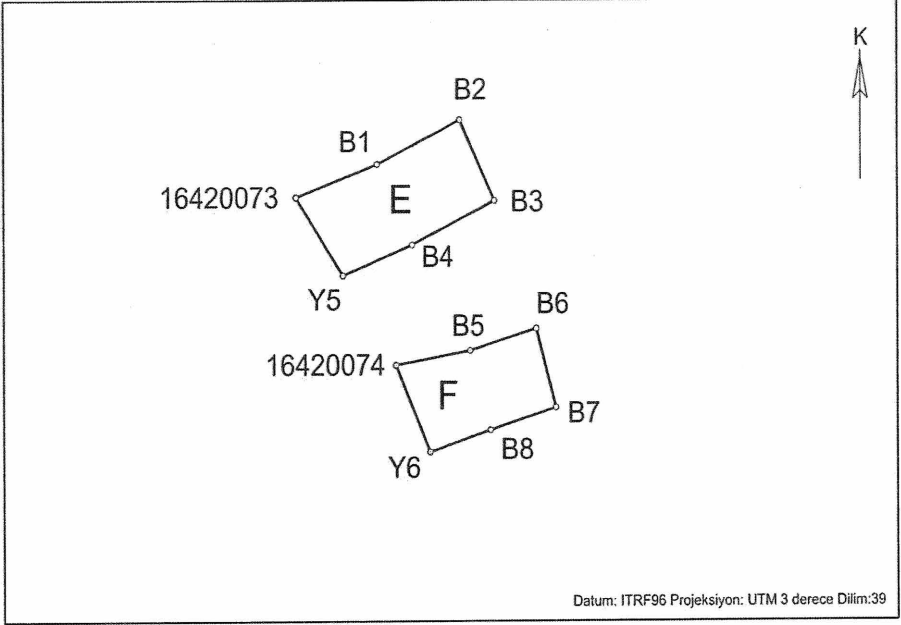
RÖLEVE KROKISI



Ada Parsel	Hesap Alan	Nokta No	Y	X
157/B	792.92	Y12	544560.05	4533234.48
		Y14	544559.50	4533230.57
		Y15	544561.16	4533214.96
		Y16	544564.37	4533204.03
		Y19	544564.59	4533201.26
		Y17	544563.69	4533192.55
		Y18	544563.95	4533191.30
		Y13	544564.48	4533188.61
		EK.9	544576.68	4533188.81
		EK.8	544576.67	4533193.27
		EK.7	544575.55	4533200.87
		EK.6	544575.48	4533205.09
		EK.5	544584.77	4533204.79
		EK.4	544584.90	4533221.46
		EK.3	544577.12	4533221.70
		EK.2	544578.22	4533232.81
EK.1	544569.27	4533233.97		

İli: Trabzon
İlçesi: Akçaabat
Köy/Mahalle: Kirazlık Mah

RÖLEVE KROKİSİ

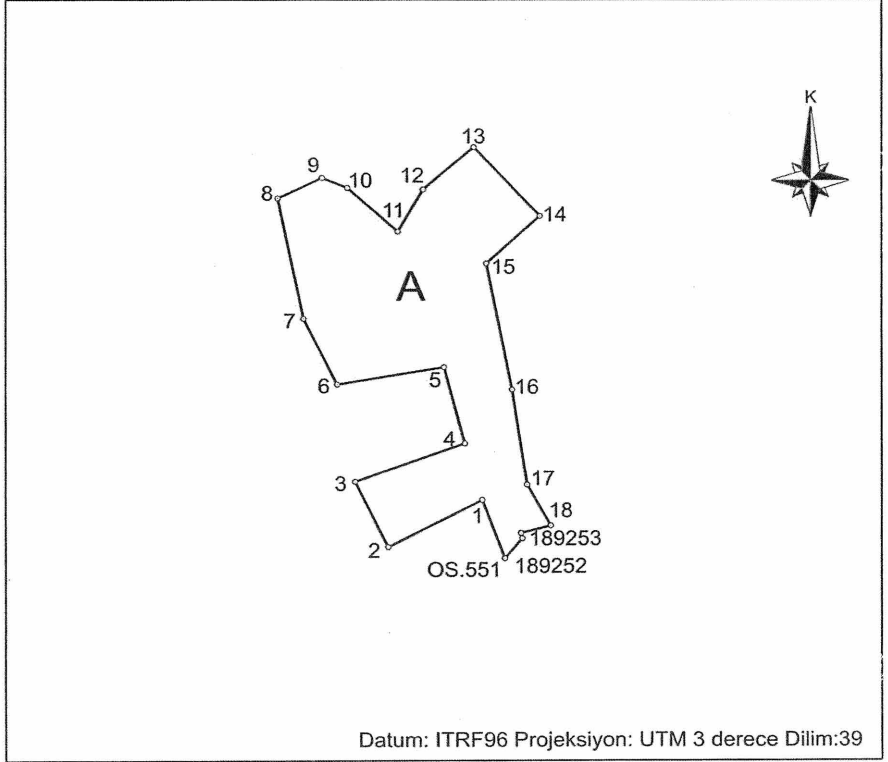


Datum: ITRF96 Projeksiyon: UTM 3 derece Dilim:39

Ada Parsel	Hesap Alan	Nokta No	Y	X
157/E	132.99	16420073	544398.66	4532972.95
		B1	544406.54	4532975.85
		B2	544414.66	4532979.73
		B3	544418.05	4532972.63
		B4	544409.93	4532968.76
		Y5	544403.18	4532966.06
157/F	101.18	16420074	544408.33	4532958.19
		B5	544415.66	4532959.46
		B6	544422.09	4532961.39
		B7	544423.99	4532954.45
		B8	544417.64	4532952.47
		Y6	544411.67	4532950.56

İli: Trabzon
İlçesi: Araklı
Köy/Mahalle: Kayacık

RÖLEVE KROKİSİ



Datum: ITRF96 Projeksiyon: UTM 3 derece Dilim:39

Ada Parsel	Hesap Alan	Nokta No	Y	X
A	953.08	15	580100.38	4512184.76
		16	580103.67	4512167.77
		17	580105.61	4512154.94
		18	580108.60	4512149.45
		189253	580104.83	4512148.46
		189252	580105.01	4512147.74
		OS.551	580102.74	4512145.06
		1	580099.89	4512152.91
		2	580087.94	4512146.57
		3	580083.70	4512155.38
		4	580097.65	4512160.49
		5	580095.03	4512170.77
		6	580081.43	4512168.48
		7	580077.17	4512177.35
		8	580073.95	4512193.57
		9	580079.54	4512196.31
		10	580082.72	4512194.96
		11	580089.17	4512189.04
12	580092.38	4512194.73		
13	580098.80	4512200.45		
14	580107.22	4512191.13		

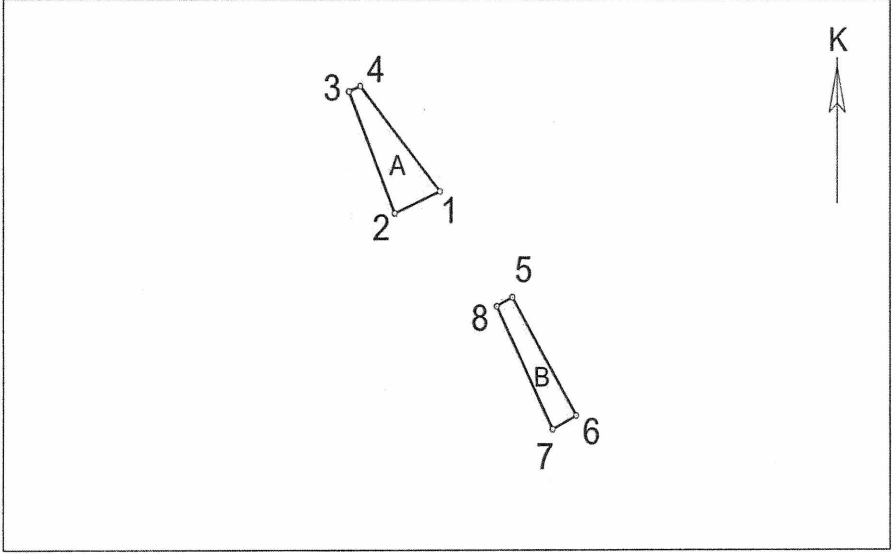
İli: Trabzon

İlçesi: Tonya

Köy/Mahalle: İskenderli

Datum/Dilim: ITRF96-3-39

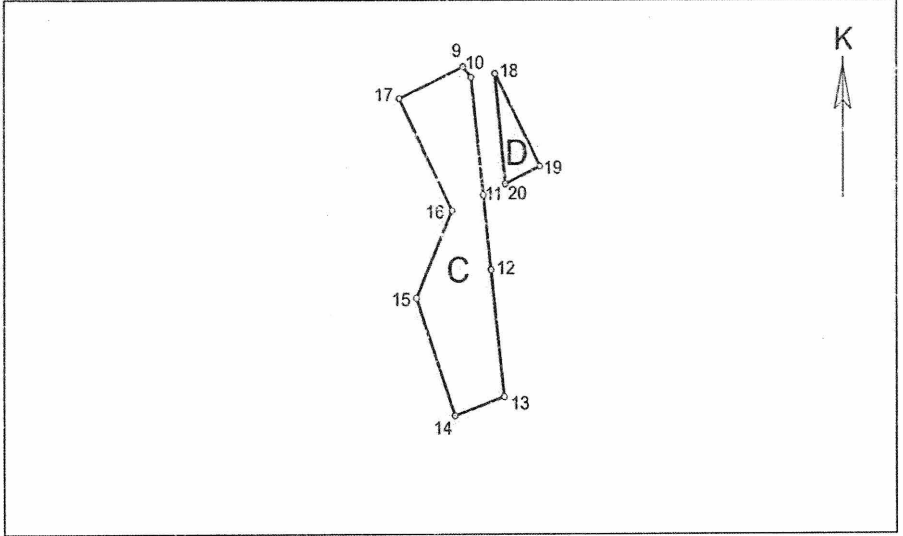
RÖLEVE HARİTASI



Ada Parsel	Hesap Alan	Nokta No	Y	X
A	26.79	4	520540.57	4532185.03
		1	520547.54	4532177.06
		2	520543.60	4532175.40
		3	520539.60	4532184.62
B	19.93	5	520553.85	4532169.03
		6	520559.36	4532160.05
		7	520557.34	4532159.02
		8	520552.49	4532168.34

İli: Trabzon
İlçesi: Tonya
Köy/Mahalle: İskenderli
Datum/Dilim: ITRF96-3°-39

RÖLEVE HARİTASI



Ada Parsel	Hesap Alan	Nokta No	Y	X
C	129.62	9	520581.89	4532121.42
		10	520582.59	4532120.60
		11	520583.64	4532111.34
		12	520584.30	4532105.46
		13	520585.43	4532095.48
		14	520581.18	4532093.99
		15	520577.89	4532103.25
		16	520580.92	4532110.10
		17	520576.42	4532118.92
D	13.83	20	520585.51	4532112.20
		18	520584.64	4532120.89
		19	520588.55	4532113.60

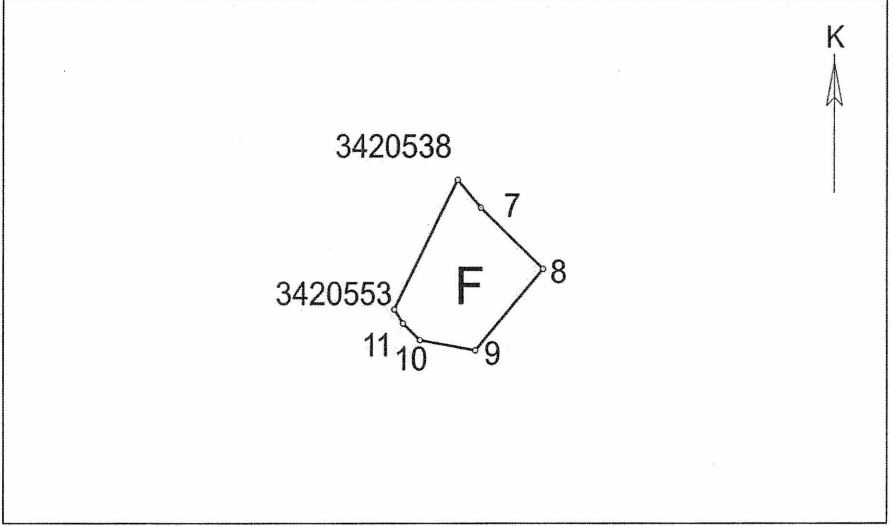
İli: Trabzon

İlçesi: Tonya

Köy/Mahalle: İskenderli

Datum/Dilim: ITRF96-3°-39

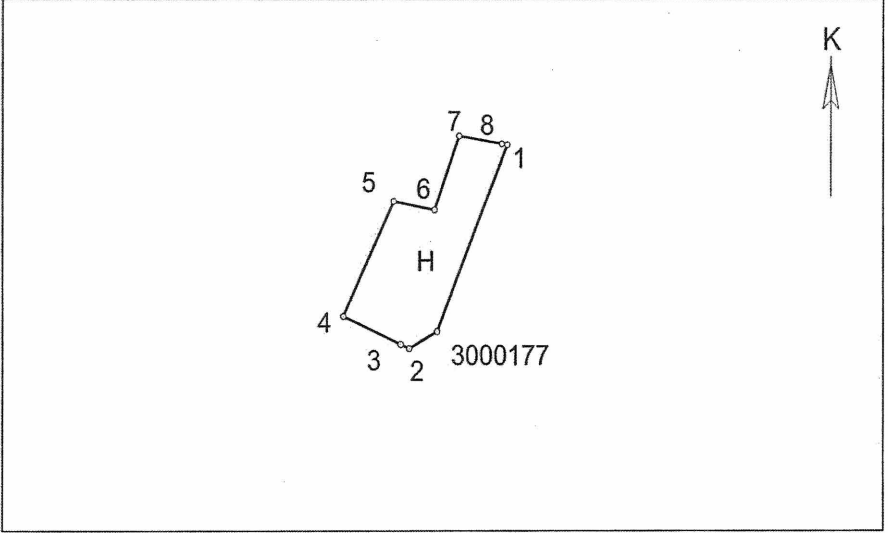
RÖLEVE HARİTASI



Ada Parsel	Hesap Alan	Nokta No	Y	X
F	164.29	7	520459.30	4532162.19
		8	520466.45	4532155.78
		9	520458.67	4532147.19
		10	520452.34	4532148.28
		11	520450.40	4532150.05
		3420553	520449.40	4532151.52
		3420538	520456.65	4532165.09

İli: Trabzon
İlçesi: Tonya
Köy/Mahalle: İskenderli
Datum/Dilim: ITRF96-3°-39

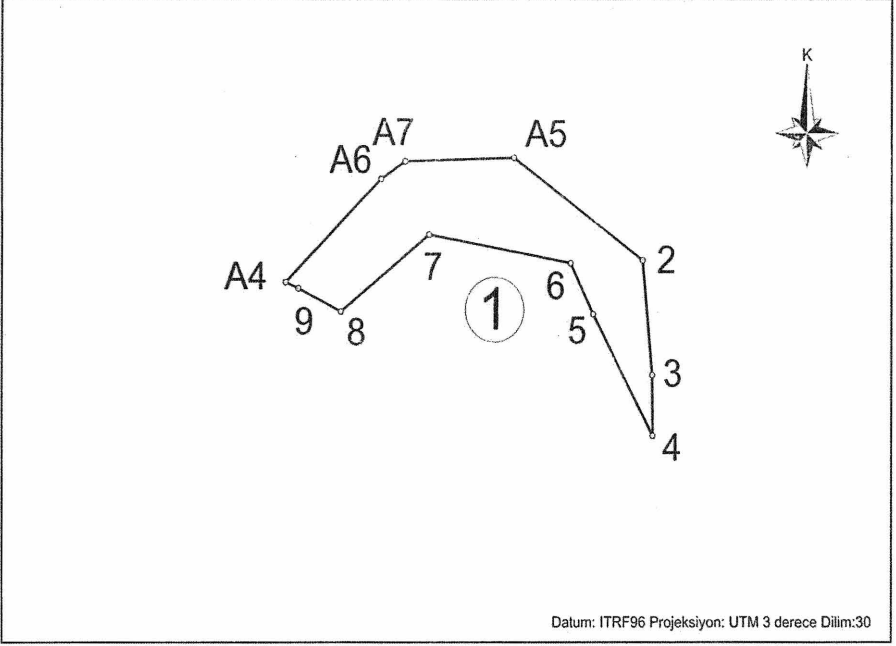
RÖLEVE HARİTASI



Ada Parsel	Hesap Alan	Nokta No	Y	X
H	169.69	1	519564.19	4532790.91
		3000177	519556.48	4532772.47
		2	519553.43	4532770.81
		3	519552.48	4532771.21
		4	519546.17	4532773.99
		5	519551.73	4532785.32
		6	519556.19	4532784.47
		7	519558.91	4532791.79
8	519563.61	4532791.00		

İli : Uşak
İlçesi : Eşme
Köyü /Mahallesi : Çaykışla

RÖLEVE VE ÖLÇÜ KROKİSİ

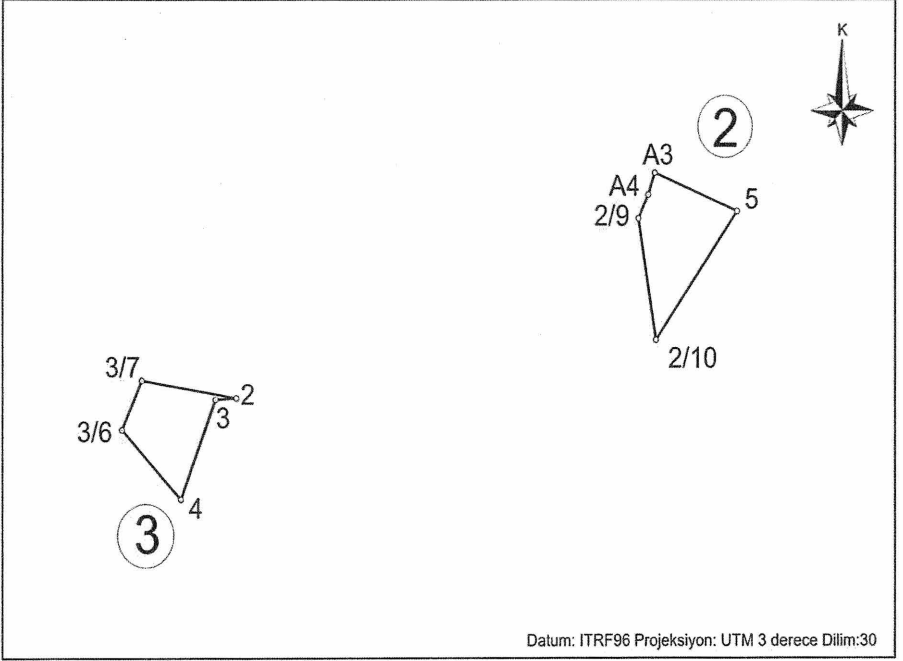


Ada	Parsel	Noktalar	HesapAlan
	EK16 ALAN-1	8,9,A4,A6,A7,A5,2,3,4,5,6,7	4481.91

NoktaNo	Y	X	NoktaNo	Y	X
2	401958.93	4267578.05	3	401962.79	4267536.68
4	401962.99	4267514.66	5	401939.02	4267558.67
6	401929.79	4267577.01	7	401873.07	4267587.26
8	401837.64	4267559.64	9	401820.60	4267567.94
A4	401815.46	4267570.17	A5	401906.87	4267614.97
A6	401853.70	4267607.39	A7	401863.44	4267613.76

İli : Uşak
İlçesi : Eşme
Köyü /Mahallesi : Çaykışla

RÖLEVE VE ÖLÇÜ KROKİSİ

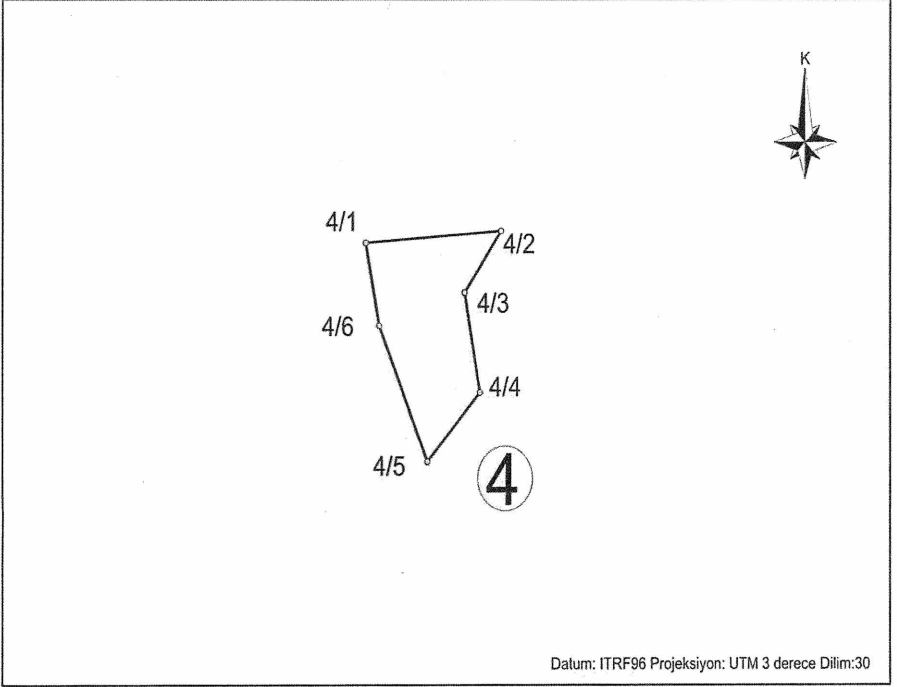


Ada	Parsel	Noktalar	HesapAlan
	EK16 ALAN-2	2/9,A4,A3,5,2/10	2193.55
	EK16 ALAN-3	3/6,3/7,2,3,4	1687.08

NoktaNo	Y	X	NoktaNo	Y	X
2	401548.55	4266169.02	2/9	401769.22	4266256.00
2/10	401778.93	4266197.03	3	401537.18	4266168.35
3/6	401486.09	4266153.69	3/7	401496.93	4266177.44
4	401518.29	4266120.08	5	401823.61	4266259.46
A3	401778.27	4266277.95	A4	401774.66	4266267.33

İli : Uşak
İlçesi : Eşme
Köyü /Mahallesi : Çaykışla

RÖLEVE VE ÖLÇÜ KROKİSİ

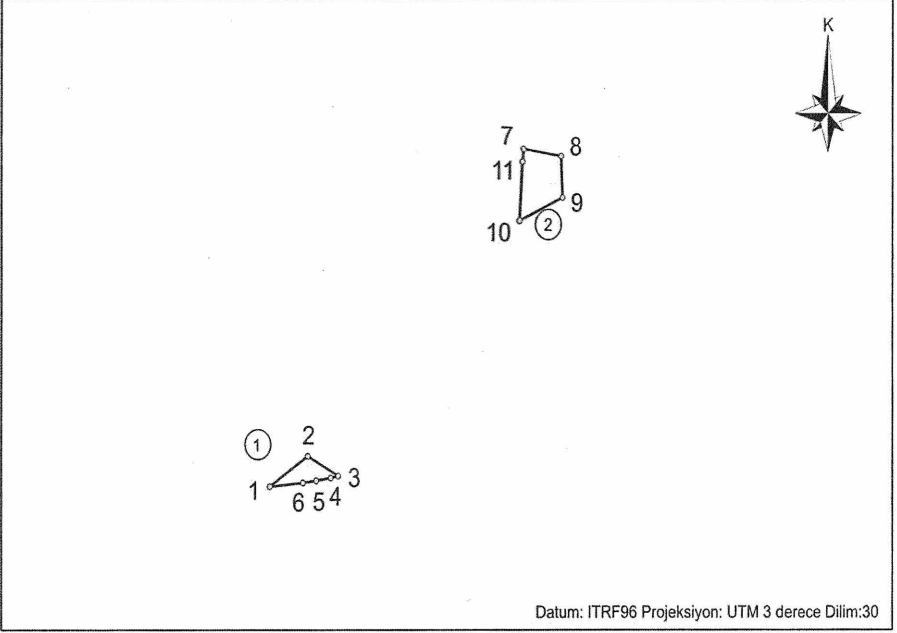


Ada	Parsel	Noktalar	HesapAlan
	EK16ALAN-4	4/5,4/6,4/1,4/2,4/3,4/4	481.62

NoktaNo	Y	X	NoktaNo	Y	X
4/1	398887.21	4266894.98	4/2	398911.68	4266896.76
4/3	398905.12	4266887.37	4/4	398907.87	4266872.19
4/5	398898.38	4266861.64	4/6	398889.64	4266882.36

İli :Uşak
İlçesi : Eşme
Köyü /Mahallesi : Oymalı

RÖLEVE ÖLÇÜ KROKİSİ

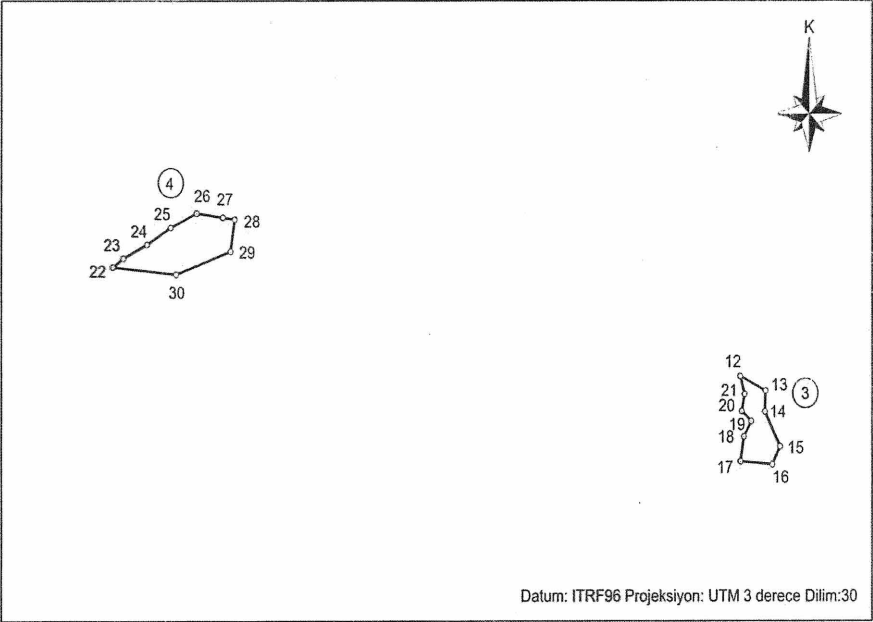


Parsel	Noktalar	HesapAlan
EK16 ALAN-1	1,2,3,4,5,6	667.57
EK16 ALAN-2	7,8,9,10,11	1701.78

NoktaNo	Y	X	NoktaNo	Y	X
1	400925.86	4261825.00	2	400961.21	4261849.14
3	400989.98	4261833.30	4	400982.84	4261831.84
5	400969.13	4261829.60	6	400956.81	4261828.01
7	401161.34	4263418.55	8	401196.07	4263412.69
9	401197.62	4263379.40	10	401157.64	4263360.98
11	401160.28	4263408.21			

İli :Uşak
İlçesi : Eşme
Köyü /Mahallesi : Oymalı

RÖLEVE ÖLÇÜ KROKİSİ



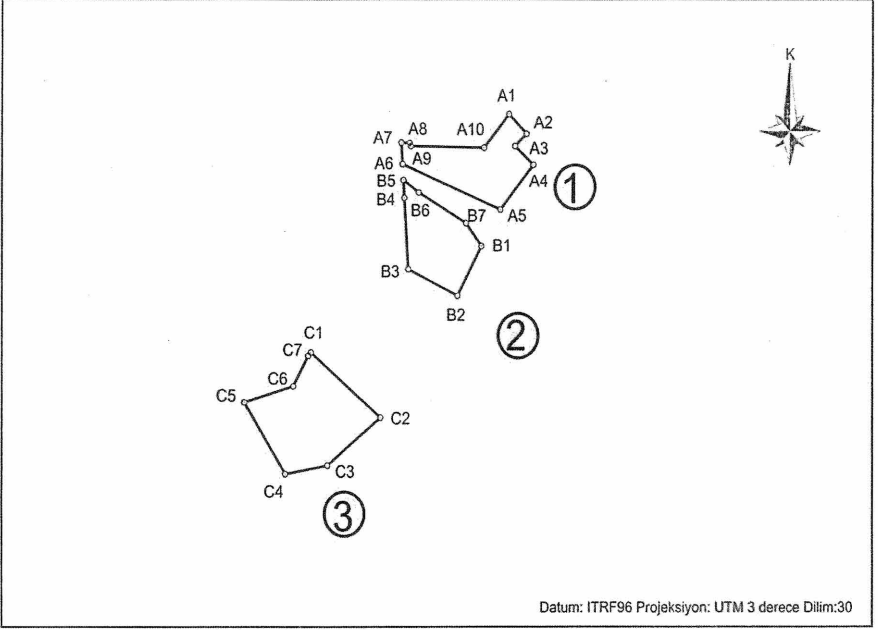
Datum: ITRF96 Projeksiyon: UTM 3 derece Dilim:30

Parsel	Noktalar	HesapAlan
EK16 ALAN-3	12,13,14,15,16,17,18,19,20,21	1651.96
EK16 ALAN-4	22,23,24,25,26,27,28,29,30	3258.84

NoktaNo	Y	X	NoktaNo	Y	X
12	402156.60	4265187.67	13	402180.85	4265175.70
14	402180.33	4265158.53	15	402194.89	4265130.20
16	402187.58	4265115.63	17	402156.93	4265118.06
18	402160.19	4265138.17	19	402167.29	4265150.67
20	402158.11	4265158.97	21	402160.80	4265172.90
22	401558.20	4265276.72	23	401568.13	4265283.83
24	401590.95	4265295.24	25	401613.43	4265309.08
26	401638.33	4265320.83	27	401663.23	4265317.38
28	401674.55	4265315.87	29	401670.62	4265289.63
30	401618.63	4265270.71			

İli : Uşak
İlçesi : Merkez
Köyü /Mahallesi : Hacıkadem

RÖLEVE VE ÖLÇÜ KROKİSİ

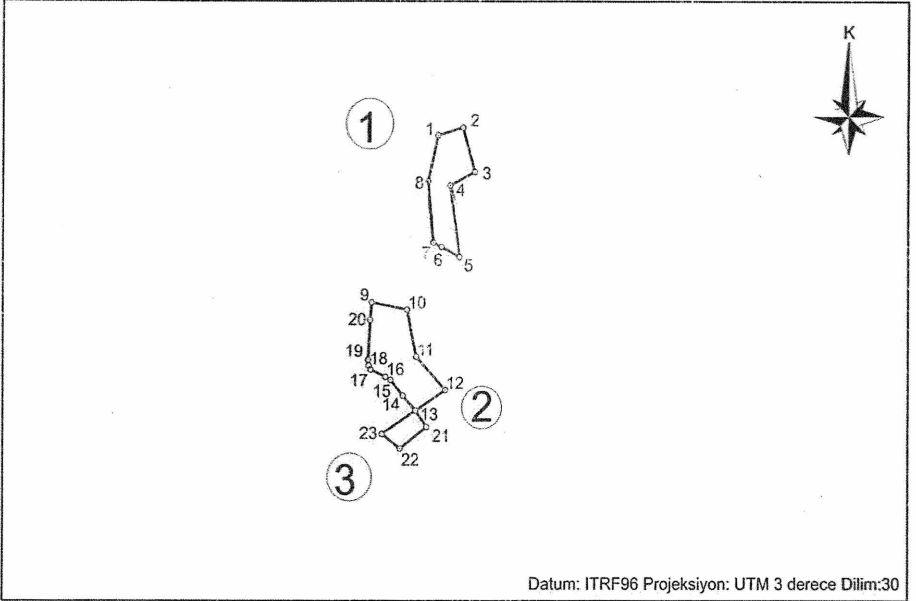


Ada	Parsel	Noktalar	HesapAlan
	EK16 ALAN-1	A7,A8,A9,A10,A1,A2,A3,A4,A5,A6	682.43
	EK16 ALAN-2	B1,B2,B3,B4,B5,B6,B7	603.83
	EK16 ALAN-3	C1,C2,C3,C4,C5,C6,C7	997.51

NoktaNo	Y	X	NoktaNo	Y	X
A1	444077.01	4283510.34	A2	444083.35	4283504.00
A3	444079.21	4283500.03	A4	444085.78	4283493.98
A5	444073.88	4283479.35	A6	444038.78	4283494.23
A7	444038.35	4283501.14	A8	444041.38	4283500.97
A9	444041.75	4283500.07	A10	444068.07	4283499.50
B1	444067.16	4283467.60	B2	444058.61	4283451.45
B3	444040.88	4283460.07	B4	444039.47	4283483.21
B5	444039.11	4283489.04	B6	444044.67	4283484.95
B7	444061.57	4283474.97	C1	444005.70	4283433.20
C2	444030.90	4283412.10	C3	444011.67	4283396.50
C4	443996.58	4283393.83	C5	443982.12	4283417.07
C6	443999.48	4283422.23	C7	444004.74	4283432.10

İli : Uşak
İlçesi : Merkez
Köyü /Mahallesi : Paçacılar

RÖLEVE ÖLÇÜ KROKİSİ

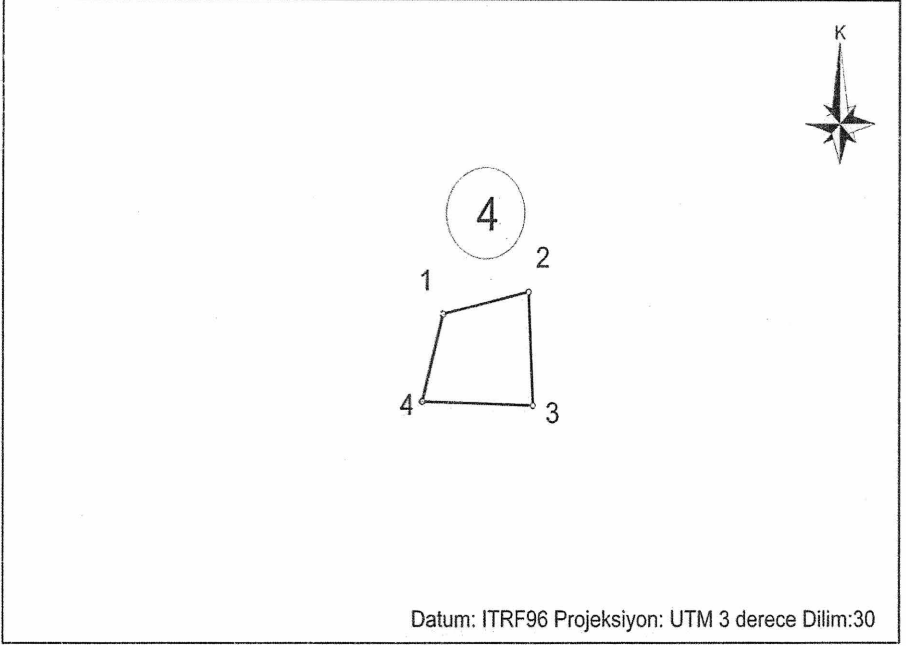


Ada	Parsel	Noktalar	HesapAlan
EK 16 ALAN-1		1,2,3,4,5,6,7,8	584.36
EK 16 ALAN-2		18,19,20,9,10,11,12,13,14,15,16,17	749.29
EK 16 ALAN-3		21,22,23,13	138.06

NoktaNo	Y	X	NoktaNo	Y	X
1	446683.83	4298108.49	2	446694.64	4298111.62
3	446699.76	4298093.93	4	446689.22	4298088.50
5	446693.26	4298059.74	6	446685.36	4298063.79
7	446681.88	4298065.58	8	446679.55	4298090.10
9	446655.27	4298041.33	10	446670.65	4298038.33
11	446674.61	4298019.51	12	446687.16	4298005.90
13	446674.36	4297997.62	14	446668.88	4298003.63
15	446663.50	4298010.00	16	446661.24	4298011.21
17	446654.80	4298014.24	18	446653.99	4298015.83
19	446653.77	4298018.22	20	446654.60	4298034.28
21	446679.09	4297990.99	22	446667.65	4297982.34
23	446659.80	4297988.20			

İli : Uşak
İlçesi : Merkez
Köyü /Mahaliesi : Paçacılar

RÖLEVE ÖLÇÜ KROKİSİ

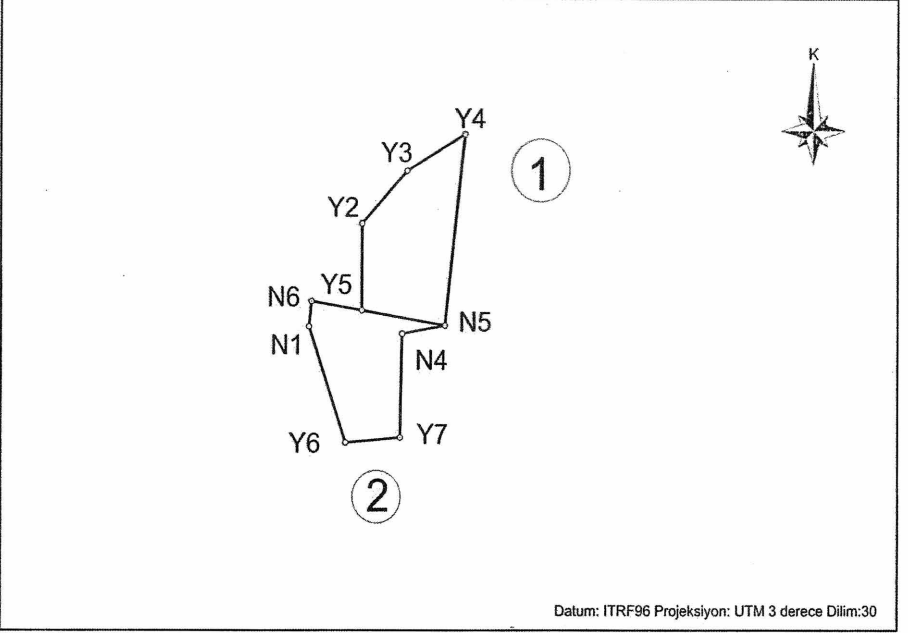


Ada	Parsel	Noktalar	HesapAlan
EK:GALAN-4		4,1,2,3	643.94

NoktaNo	Y	X	NoktaNo	Y	X
1	449460.65	4297832.76	2	449484.35	4297838.01
3	449485.63	4297811.04	4	449455.00	4297811.97

İli : Uşak
İlçesi : Sivasslı
Köyü /Mahallesi : Erice

RÖLEVE VE ÖLÇÜ KROKİSİ

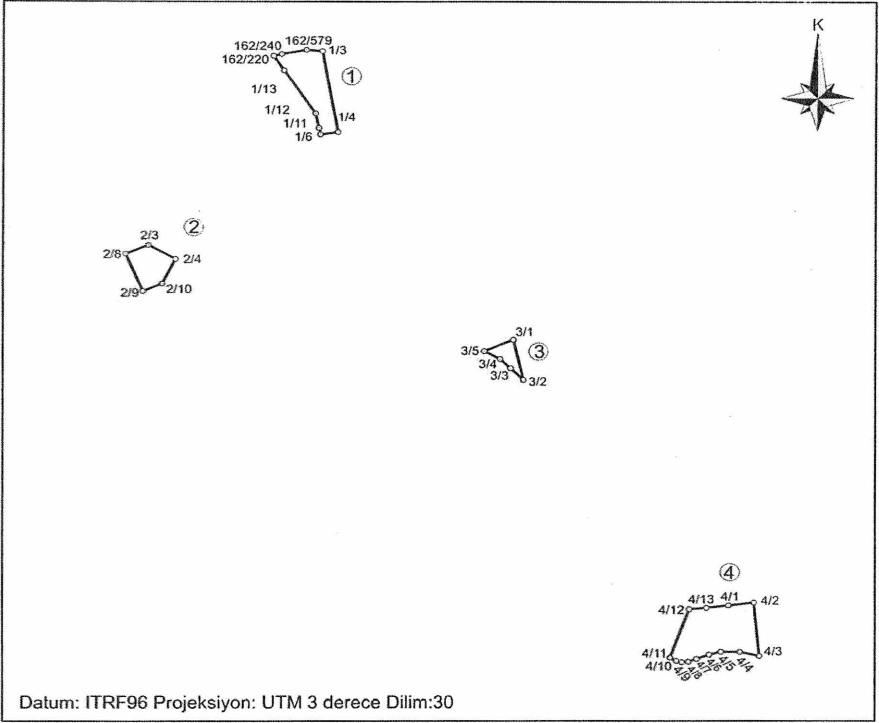


Ada	Parsel	Noktalar	HesapAlan
EK16 ALAN-1		Y2,Y3,Y4,N5,Y5	1296.54
EK16 ALAN-2		N6,Y5,N5,N4,Y7,Y6,N1	1015.64

NoktaNo	Y	X	NoktaNo	Y	X
N1	469011.23	4272680.63	N4	469041.52	4272678.47
N5	469055.43	4272680.94	N6	469012.04	4272688.19
Y2	469028.33	4272711.46	Y3	469043.11	4272727.31
Y4	469061.87	4272738.35	Y5	469028.25	4272685.48
Y6	469023.07	4272645.65	Y7	469040.94	4272647.16

İli : Uşak
İlçesi : Ulubey
Köyü /Mahallesi : Çamlıbel

RÖLEVE VE ÖLÇÜ KROKİSİ

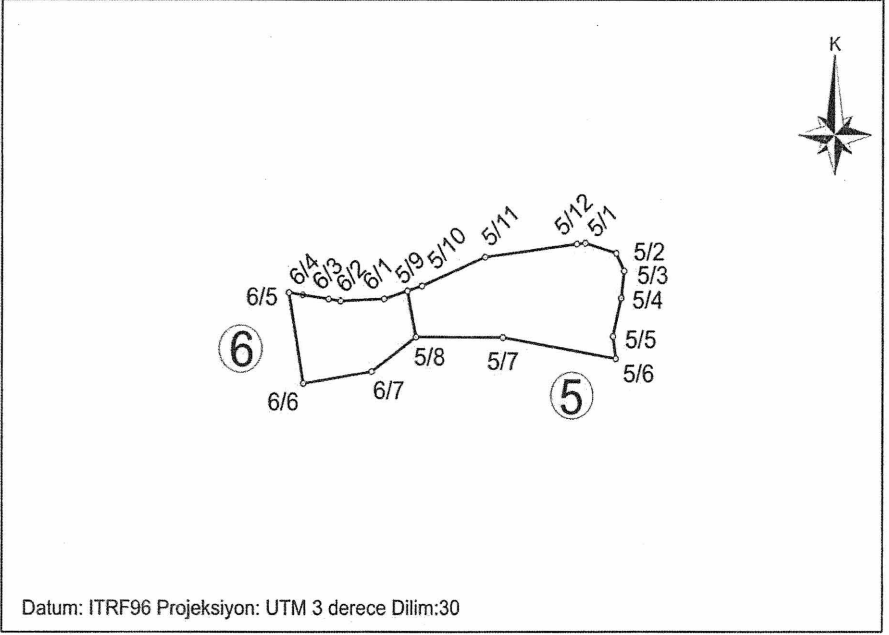


NoktaNo	Y	X	NoktaNo	Y	X
1/3	429778.18	4242308.17	1/4	429786.66	4242258.51
1/6	429777.06	4242257.06	1/11	429776.24	4242261.01
1/12	429774.36	4242269.98	1/13	429756.69	4242296.45
2/3	429682.03	4242189.30	2/4	429697.04	4242180.87
2/8	429669.51	4242183.93	2/9	429678.93	4242160.90
2/10	429689.62	4242165.49	3/1	429884.06	4242130.89
3/2	429889.58	4242106.16	3/3	429882.52	4242113.33
3/4	429876.85	4242119.09	3/5	429867.99	4242123.95
4/1	430003.14	4241967.42	4/2	430017.06	4241969.12
4/3	430020.20	4241936.43	4/4	430009.34	4241938.91
4/5	429998.98	4241939.01	4/6	429992.49	4241937.25
4/7	429985.51	4241934.60	4/8	429980.93	4241932.93
4/9	429977.40	4241932.68	4/10	429974.41	4241933.37
4/11	429971.00	4241935.41	4/12	429981.44	4241965.10
4/13	429990.94	4241965.92	162/220	429755.39	4242306.45
162/240	429750.76	4242305.32	162/579	429769.22	4242309.05

Parsel	Noktalar	HesapAlan
EK16 ALAN-1	162/240,162/220,162/579,1/3, 1/4,1/6,1/11,1/12,1/13	865.38
EK16 ALAN-2	2/3,2/4,2/10,2/9,2/8	460.95
EK16 ALAN-3	3/5,3/1,3/2,3/3,3/4	191.61
EK16 ALAN-4	4/11,4/12,4/13,4/1,4/2,4/3, 4/4,4/5,4/6,4/7,4/8,4/9,4/10	1279.28

İli : Uşak
İlçesi : Ulubey
Köyü /Mahallesi : Çamlıbel

RÖLEVE VE ÖLÇÜ KROKİSİ



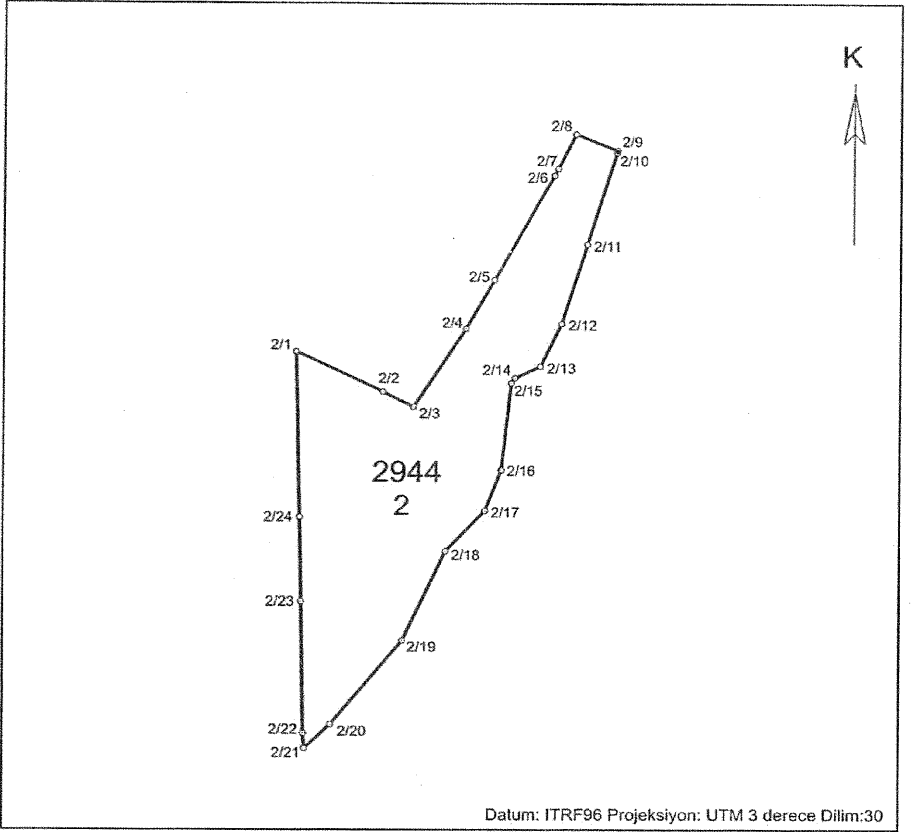
Datum: ITRF96 Projeksiyon: UTM 3 derece Dilim:30

Ada	Parsel	Noktalar	HesapAlan
	EK16 ALAN-5	5/8,5/9,5/10,5/11,5/12,5/1, 5/2,5/3,5/4,5/5,5/6,5/7	983.96
	EK16 ALAN-6	6/6,6/5,6/3,6/2,6/1,5/9,5/8, 6/7	467.98

NoktaNo	Y	X	NoktaNo	Y	X
5/1	429320.38	4241404.77	5/2	429328.00	4241402.54
5/3	429330.01	4241398.55	5/4	429329.28	4241392.42
5/5	429327.23	4241383.77	5/6	429327.94	4241378.80
5/7	429299.91	4241383.53	5/8	429278.43	4241383.64
5/9	429276.32	4241394.03	5/10	429279.88	4241395.13
5/11	429295.56	4241401.68	5/12	429318.24	4241404.57
6/1	429270.52	4241392.23	6/2	429259.74	4241391.76
6/3	429256.77	4241392.20	6/5	429247.07	4241393.63
6/6	429250.63	4241373.18	6/7	429267.48	4241375.85

İli : ZONGULDAK
İlçesi : EREĞLİ
Köy/Mahalle : DAĞLAR

RÖLEVE KROKİSİ

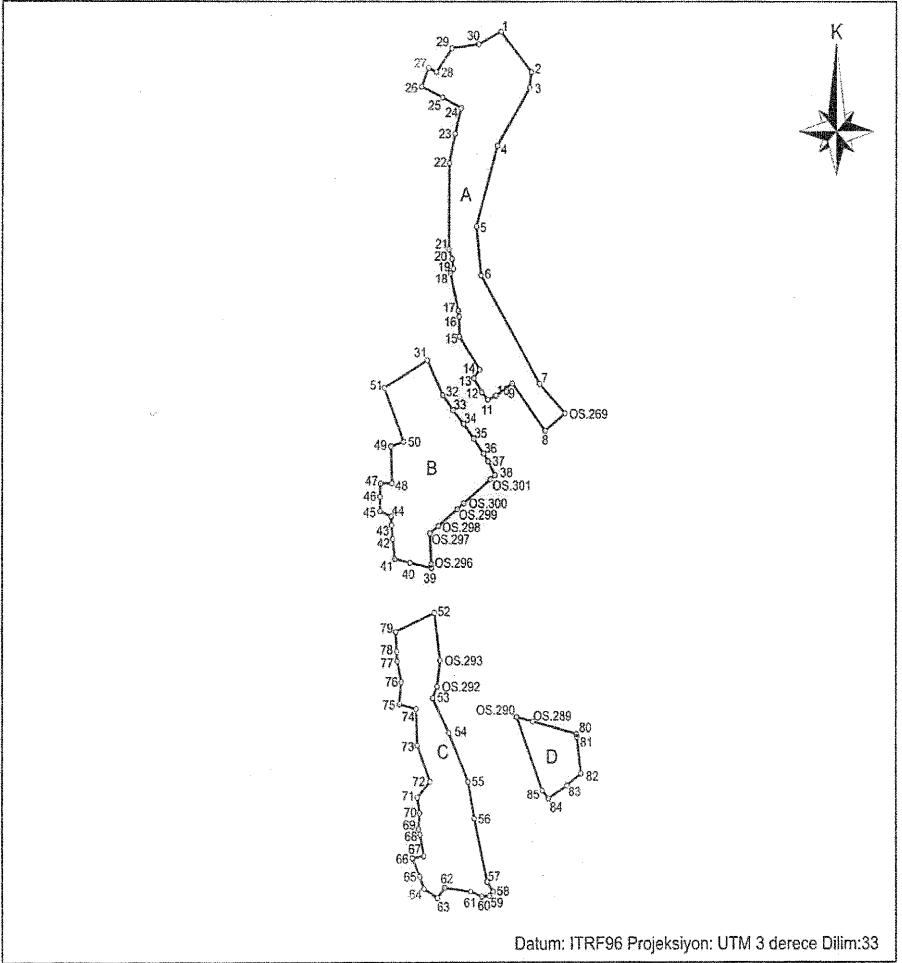


NoktaNo	Y	X	NoktaNo	Y	X
2/1	617775.37	4568531.74	2/2	617799.80	4568519.90
2/3	617808.42	4568515.42	2/4	617823.06	4568538.68
2/5	617831.00	4568553.14	2/6	617847.92	4568583.92
2/7	617848.94	4568586.01	2/8	617853.92	4568596.20
2/9	617865.67	4568591.38	2/10	617865.56	4568590.75
2/11	617857.33	4568563.67	2/12	617850.12	4568540.13
2/13	617844.27	4568527.44	2/14	617836.93	4568523.96
2/15	617835.89	4568522.43	2/16	617833.16	4568496.75
2/17	617828.55	4568484.68	2/18	617817.45	4568472.63
2/19	617805.59	4568446.22	2/20	617785.38	4568421.34
2/21	617778.07	4568414.33	2/22	617777.76	4568418.80
2/23	617777.06	4568457.81	2/24	617776.57	4568482.78

Ada	Parsel	Noktalar	HesapAlan
2944	2	2/1,2/2,2/3,2/4,2/5,2/6,2/7, 2/8,2/9,2/10,2/11,2/12,2/13, 2/14,2/15,2/16,2/17,2/18,2/19, 2/20,2/21,2/22,2/23,2/24	5664.24

İli : ZONGULDAK
İlçesi : KOZLU
Köyü /Mahallesi : YAHMA

RÖLEVE VE ÖLÇÜ KROKİSİ



İli : ZONGULDAK
İlçesi : KOZLU
Köyü /Mahallesi : YAHMA

RÖLEVE VE ÖLÇÜ KROKISI

Datum: ITRF96 Projeksiyon: UTM 3 derece Dilim:33

NoktaNo	Y	X	NoktaNo	Y	X
1	393241.60	4589016.61	2	393260.04	4588995.59
3	393259.10	4588987.44	4	393239.51	4588957.02
5	393226.73	4588914.76	6	393229.62	4588889.12
7	393265.48	4588832.30	8	393268.96	4588807.56
9	393248.65	4588832.57	10	393238.82	4588826.13
11	393233.79	4588824.03	12	393230.22	4588827.94
13	393225.19	4588835.31	14	393228.87	4588839.81
15	393216.28	4588856.90	16	393216.09	4588867.40
17	393215.50	4588870.50	18	393210.72	4588890.19
19	393212.53	4588892.55	20	393211.67	4588897.65
21	393209.70	4588902.78	22	393209.91	4588948.01
23	393213.41	4588963.43	24	393217.21	4588976.74
25	393205.64	4588982.32	26	393192.84	4588987.89
27	393196.93	4588997.75	28	393201.78	4588995.41
29	393211.41	4589008.03	30	393227.99	4589010.14
31	393196.52	4588844.61	32	393206.03	4588826.44
33	393212.27	4588818.55	34	393218.82	4588811.40
35	393225.19	4588803.56	36	393231.21	4588795.71
37	393234.08	4588791.72	38	393238.36	4588784.34
39	393199.20	4588735.72	40	393186.12	4588738.51
41	393176.77	4588740.51	42	393175.35	4588751.06
43	393174.70	4588758.23	44	393174.45	4588762.81
45	393167.50	4588765.50	46	393167.52	4588773.06
47	393167.84	4588780.04	48	393174.91	4588780.18
49	393174.26	4588799.57	50	393182.14	4588802.00
51	393170.14	4588830.29	52	393201.01	4588712.36
53	393199.89	4588667.80	54	393209.91	4588649.54
55	393221.80	4588623.92	56	393225.71	4588604.29
57	393233.47	4588570.82	58	393237.15	4588565.63
59	393234.84	4588563.37	60	393230.23	4588562.99
61	393223.39	4588565.63	62	393207.24	4588567.79
63	393202.74	4588562.23	64	393194.55	4588567.23
65	393192.04	4588573.67	66	393187.49	4588583.37
67	393194.55	4588584.46	68	393192.16	4588595.75
69	393191.32	4588598.54	70	393191.99	4588607.18
71	393190.51	4588615.20	72	393198.39	4588623.98
73	393190.52	4588643.06	74	393189.74	4588662.21
75	393179.52	4588664.75	76	393180.72	4588676.57
77	393178.23	4588687.11	78	393177.89	4588692.13
79	393177.18	4588702.43	80	393288.47	4588648.92
81	393288.64	4588647.41	82	393291.20	4588628.12
83	393282.47	4588621.82	84	393271.13	4588614.62
85	393267.34	4588619.03	OS.269	393281.19	4588816.84
OS.289	393261.30	4588655.58	OS.290	393251.42	4588658.00
OS.292	393202.65	4588674.24	OS.293	393204.44	4588687.37
OS.296	393199.09	4588737.72	OS.297	393198.19	4588753.85
OS.298	393203.50	4588757.88	OS.299	393215.09	4588766.67
OS.300	393219.06	4588769.69	OS.301	393235.52	4588782.18

Ada	Parsel	Noktalar	HesapAlan
A		22,23,24,25,26,27,28,29,30,1, 2,3,4,5,6,7,OS.269,8,9,10,11, 12,13,14,15,16,17,18,19,20,21	5949.89
B		OS.301,OS.300,OS.299,OS.296, OS.297,OS.296,39,40,41,42,43, 44,45,46,47,48,49,50,51,31,32, 33,34,35,36,37,38	4150.08
C		53,54,55,56,57,58,59,60,61,62, 63,64,65,66,67,68,69,70,71,72, 73,74,75,76,77,78,79,52, OS.293,OS.292	3959.00
D		85,OS.290,OS.289,80,81,82,83, 84	984.31